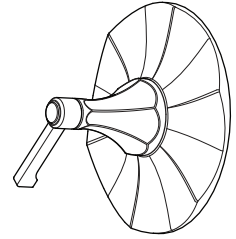


- R89-1DEC Finish(C)
- R89-1DED Finish(D)
- R89-1DEK Finish(K)
- R89-1DEY Finish(Y)



## Specifications

- Trim Only, Valve Not Included

### Features

- All Metal Construction
- Pforever Warranty®

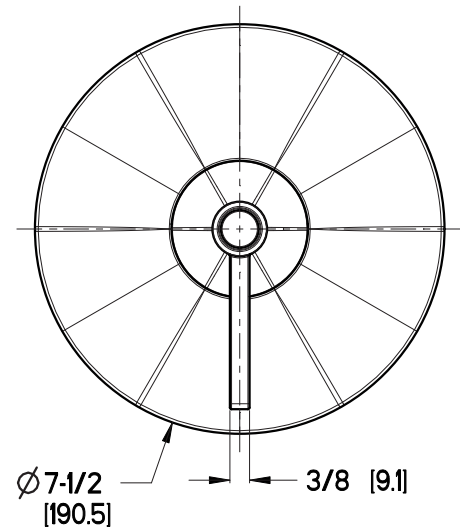
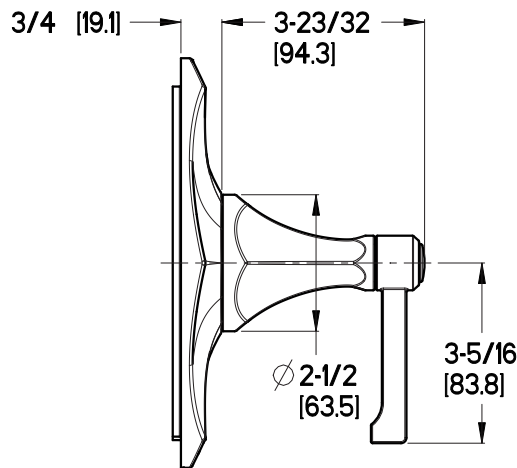
### Code Compliance

Pfister products are designed and manufactured in compliance with the following standards and codes:

- IAPMO Certified
- CSA B125 Certified
- ASME A112.18.1
- ASSE 1016
- Cal Green Compliant
- EPA WaterSense Certification 1.5 gpm, 5.7L/Min
- ADA Compliant-ANSI A117.1 (Lever handles only)



## Dimensions



Ø1 Min to Ø1-1/2 Max. Deck Hole Openings