

# EAST LINEAR

## Tub and Handshower Set **1500-4283**

### Features

- Solid brass construction
- Quarter-turn washerless ceramic disc valve cartridges
- 12.60" (32.0 cm) tub spout reach (wall-center)
- 3" x 3/4" (7,6 cm x 1,9 cm) handshower spray area
- For wall mounted configurations
- ADA Compliant (Handles Only)
- 1.8 GPM (6.8 LPM) Max, Handshower Only

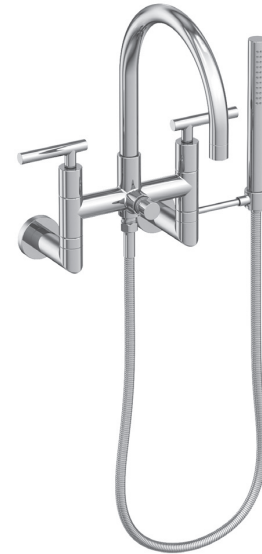
### Codes / Standards Compliance

Meets or exceeds the following at date of manufacture:

- ASME A112.18.1/CSA B125.1
- IAMPO/cUPC
- IPC
- ADA & ICC/ANSI A117.1 (Handle Only)
- Energy Policy Act of 1992
- California Energy Commission
- ASME A112.18.3 (Back Flow)
- All applicable US Federal and State material regulations
- Other: This product is NOT watersense certified

### Colors / Finishes

- 10B: Oil Rubbed Bronze
- 15: Polished Nickel
- 15S: Satin Nickel - PVD
- 26: Polished Chrome
- Other: Refer to the Newport Brass catalog for additional color/finish options.



### Specified Model

Model	Description	Colors   Finishes			
1500-4283	Exposed Tub and Handshower Set (wall mount)	<input type="checkbox"/> 15	<input type="checkbox"/> 15S	<input type="checkbox"/> 26	<input type="checkbox"/> Other

### Required Accessory:

<b>Model</b>	<input type="checkbox"/> 1-483
<b>Description</b>	Wall Mounting Nipple Kit
<b>Image</b>	

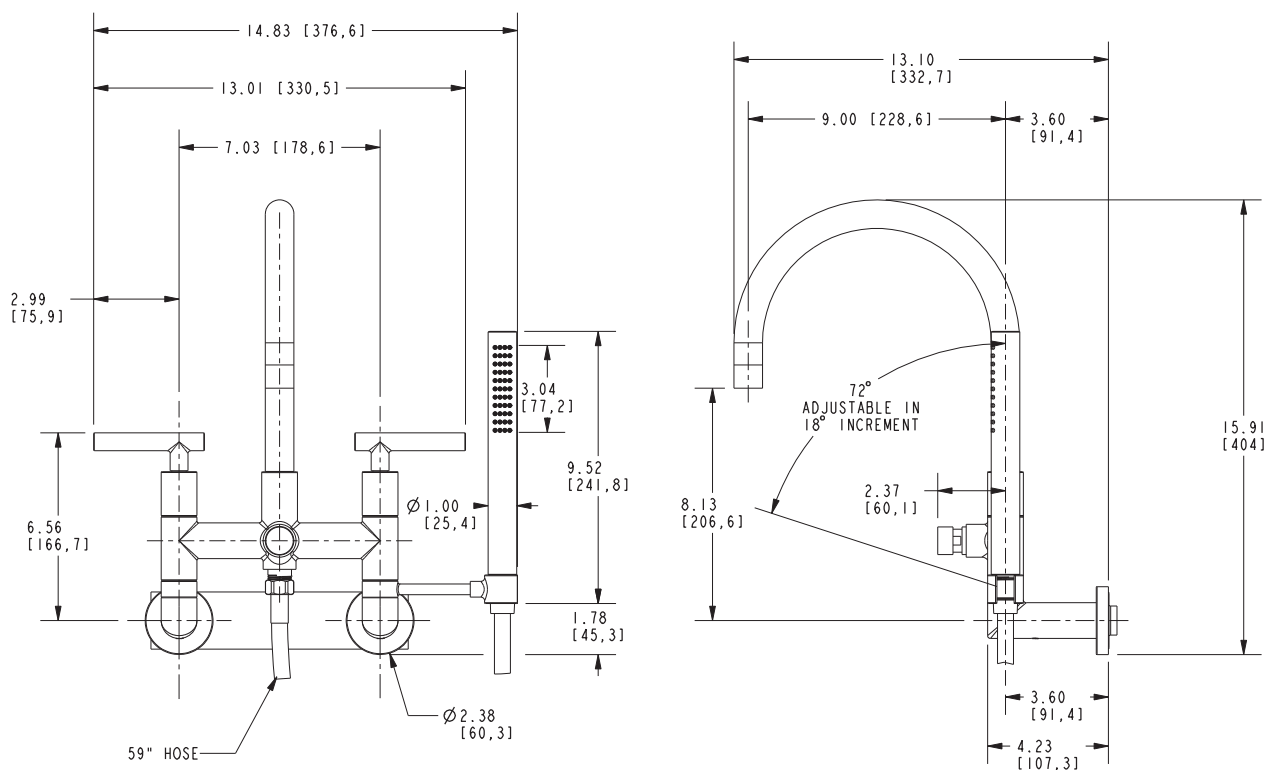
### Product Specification Add "Color / Finish" suffix to Model number, below.

The Exposed Tub and Handshower Set shall be made of solid brass construction and incorporate quarter-turn washerless ceramic disc valve cartridges. Exposed Tub and Handshower Set shall incorporate a push button diverter and ADA complaint lever handles. Product shall be designed for wall-mounted configurations. Product shall have a 12.60" (32.0 cm) tub spout reach (wall-center). Product shall feature a solid brass handshower having a spray area of 3" x 3/4" (7,6 cm x 1,9 cm) and a 1.8 gallons (6.7 liters) per minute maximum flow rate. Exposed Tub and Handshower Set shall be Newport Brass Model 1400-4283/\_\_\_\_\_. [Required Wall Mounting Nipple Kit (1/2" NPT) shall be 1-483.]

# 1500-4283

## PRODUCT DIMENSIONS *(Units are in inches)*

Product Dimensions are provided for reference only. For specific product installation guidelines, please reference the Installation Instructions of the product being installed.



### East Linear Tub and Handshower Set 1500-4283