
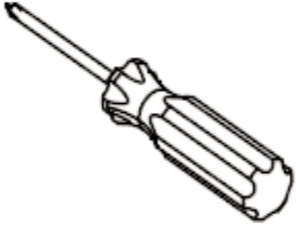

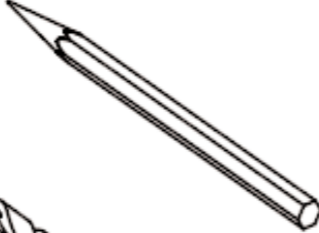

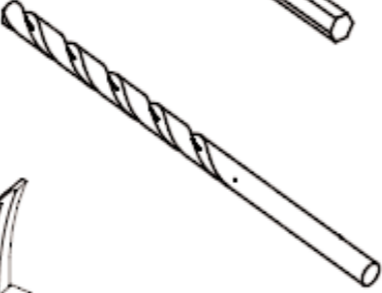
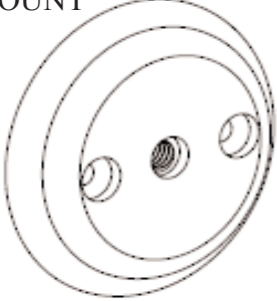
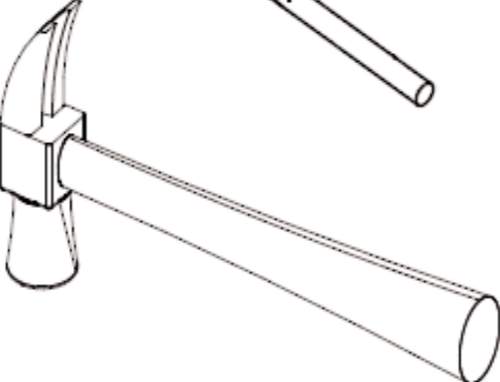

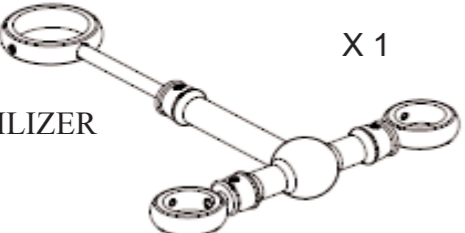


<u>ITEMS INCLUDED</u>	<u>TOOLS REQUIRED</u>
DRY WALL ANCHOR  X 2	PHILLIPS SCREW DRIVER 
TILE ANCHOR  X 2	PEN / PENCIL 
#8 SCREW  X 2	1/4" (6 mm) DRILL 
WALL MOUNT PLATE  X 1	HAMMER 
5/64" HEX KEY  X 1	
STABILIZER KIT  X 1	

INSTALLATION INSTRUCTIONS

2-734

STABILIZER KIT

For Exposed Tub Floor Risers Kit

NEWPORT BRASS
 Flawless Beauty. From Faucet to Finish.™

2001 CARNEGIE AVE, SANTA ANA, CA 92705
 (949) 417-5207
 WWW.NEWPORTBRASS.COM

TUB OVERFLOW DRAIN MOUNT

1. Loosen all set screws on the Stabilizer Kit
2. Adjust Stabilizer Rings to fit over Floor Risers and Tub Overflow Drain (See Figure 1)
3. Tighten all set screws to secure the Stabilizer Kit to the Risers

SHOWN WITH 1014
SOLD SEPARATELY

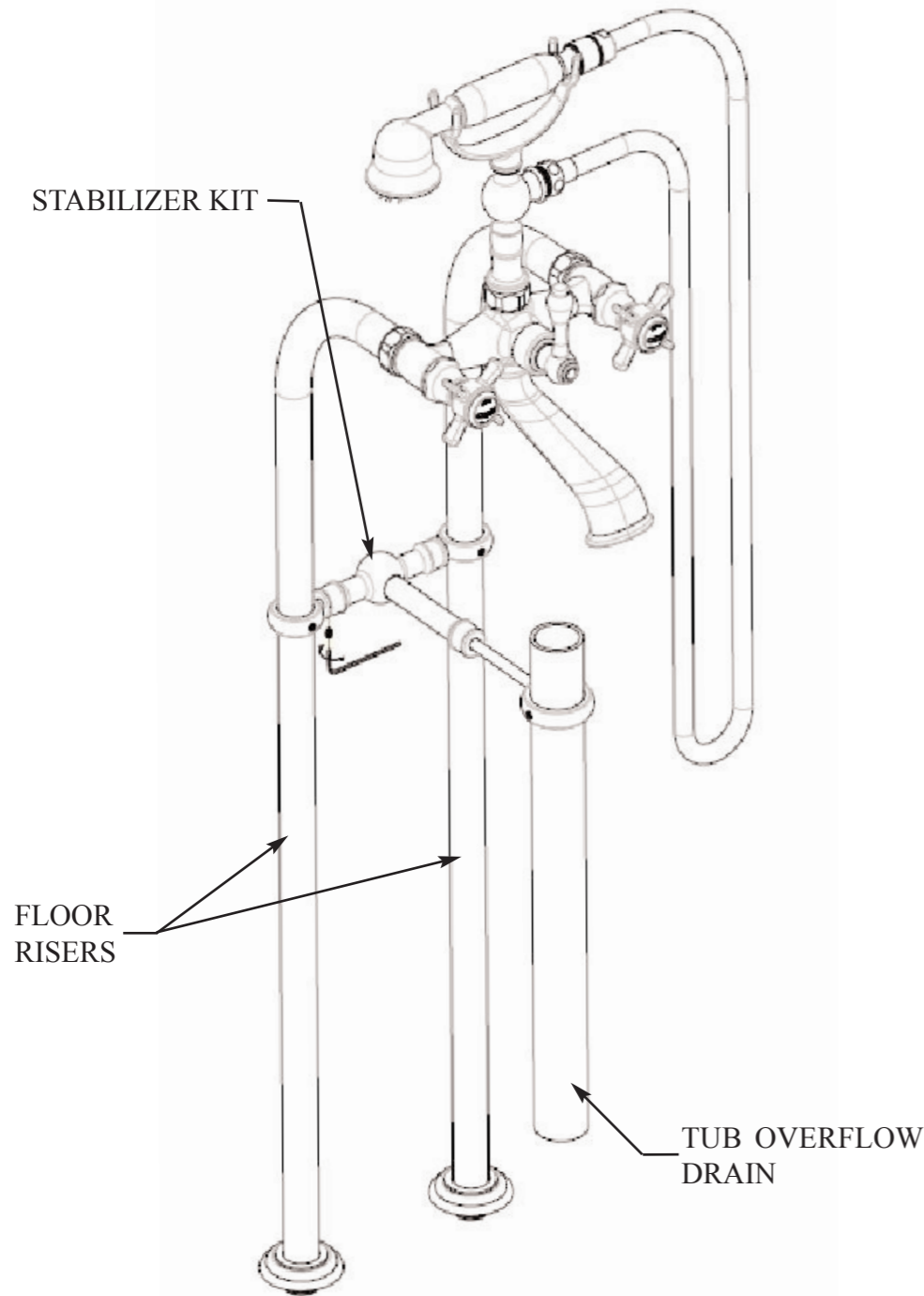


Figure 1

WALL MOUNT

1. Loosen all set screws on the Stabilizer Kit
2. Adjust Stabilizer Rings to fit over Floor Risers (See Figure 2)
3. Attach Wall Mount Plate (See Figure 3a & 3b)
4. Mark Location to attach the Wall Mount Plate:
 - a. Dry Wall (See Figure 4a)
 - b. Tile or Solid Wall (See Figure 4b)
5. Tighten all set screws to secure the Stabilizer Kit to the Risers

SHOWN WITH 1014
SOLD SEPARATELY

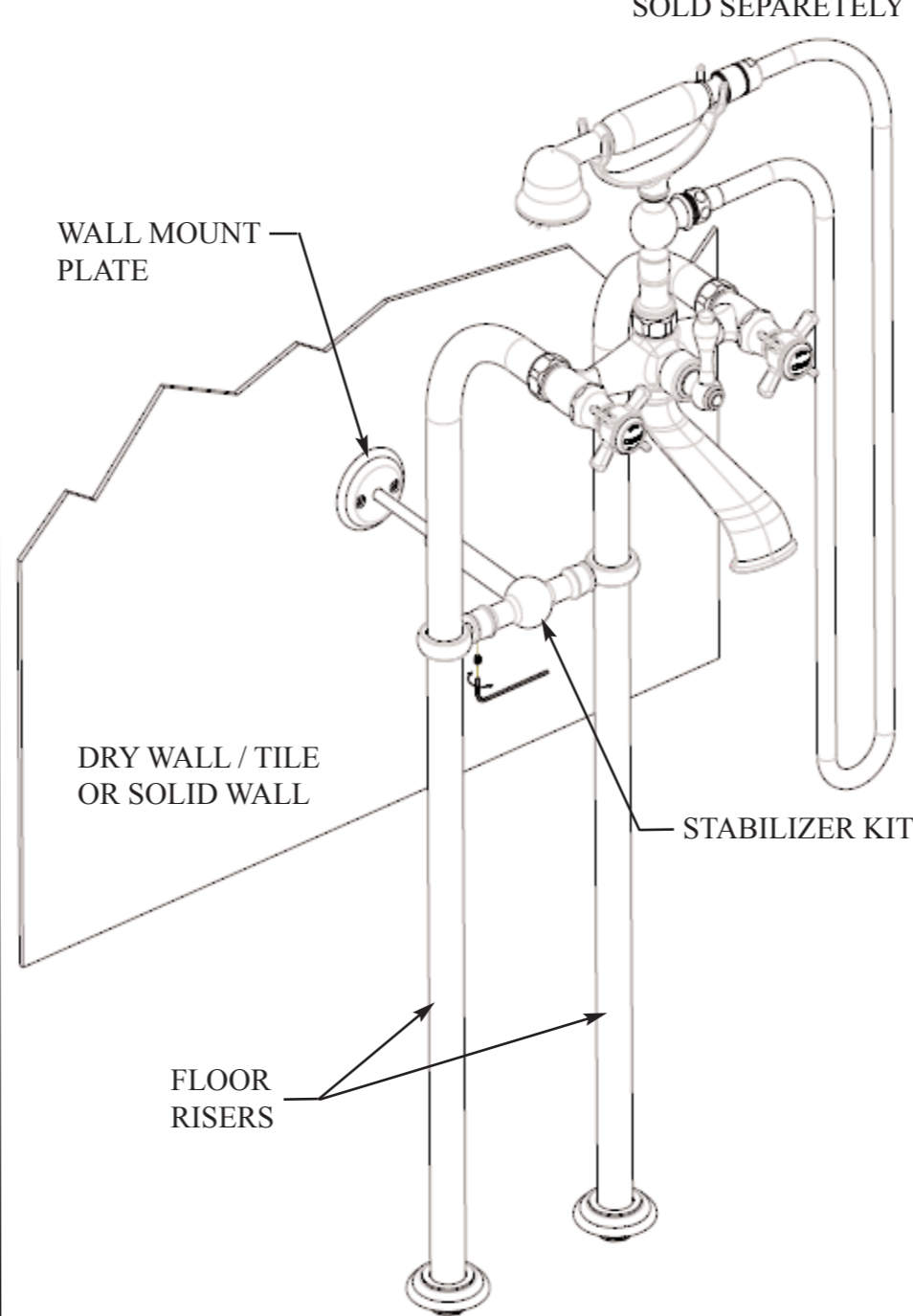


Figure 2

WALL MOUNT PLATE INSTALLATION

1. Unscrew to remove Tub Overflow Stabilizer Ring (See Figure 3a)

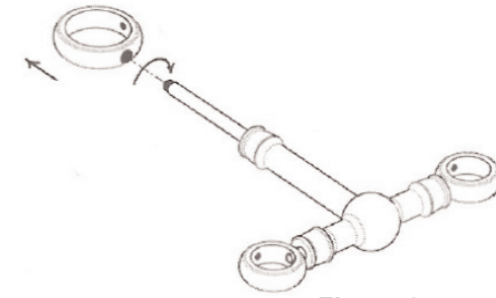


Figure 3a

2. Thread Wall Mount Plate (See Figure 3b)

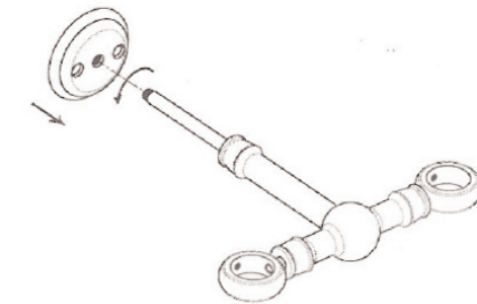


Figure 3b

DRY WALL INSTALLATION



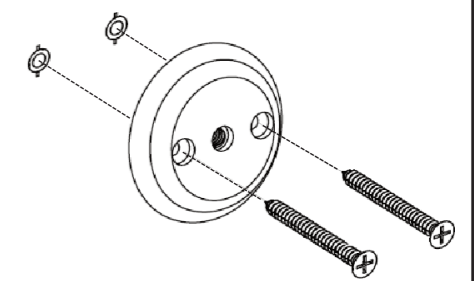
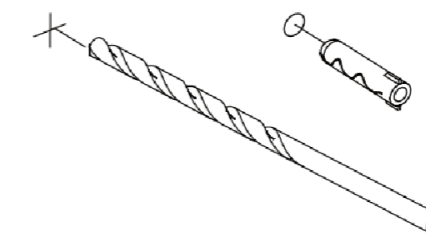
DO NOT
DRILL

1. Use Mark Location made in Step 4
2. Tighten until threads are reached
3. Tighten all screws to secure the Wall Mount Plate

Figure 4a

TILE OR SOLID WALL INSTALLATION

1. Use Mark Location made in Step 4
2. Insert Tile Anchor



3. Tighten all screws to secure the Wall Mount Plate

Figure 4b