

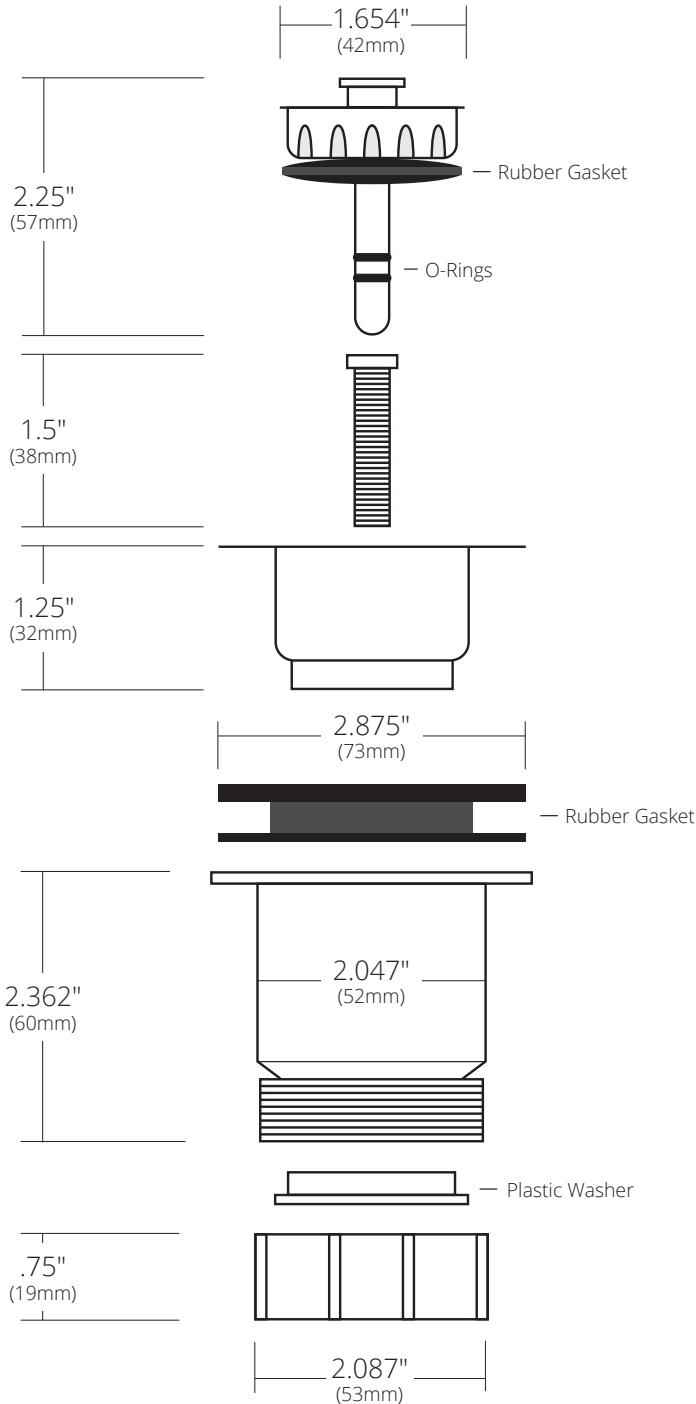
SPECIFICATIONS

2" JR STRAINER

Bar & Prep



Shown in Brushed Nickel



- DR220-BN Brushed Nickel
- DR220-ORB Oil Rubbed Bronze
- DR220-MB Matte Black

PRODUCT DETAILS

- Fits 2" (51mm) drain opening
- Overall length when assembled is 2.75" (70mm)
- Features center post with double o-ring construction for tight seal and durability

COORDINATING PRODUCTS

- Any bar sink with 2" (51mm) drain opening