



**Primary™**  
Round-Front Toilet Seat  
**K-4686-A**

**Features**

- Open-front seat without lid.
- Plastic hinges.
- Includes an antimicrobial agent that protects the toilet seat from odor- and stain-causing bacteria, mold and mildew. Antimicrobial agent does not protect the user from disease-causing bacteria.
- Open-front seat without lid.

**Material**

- Plastic



**Codes/Standards**

None Applicable




**KOHLER® One-Year Limited Warranty**

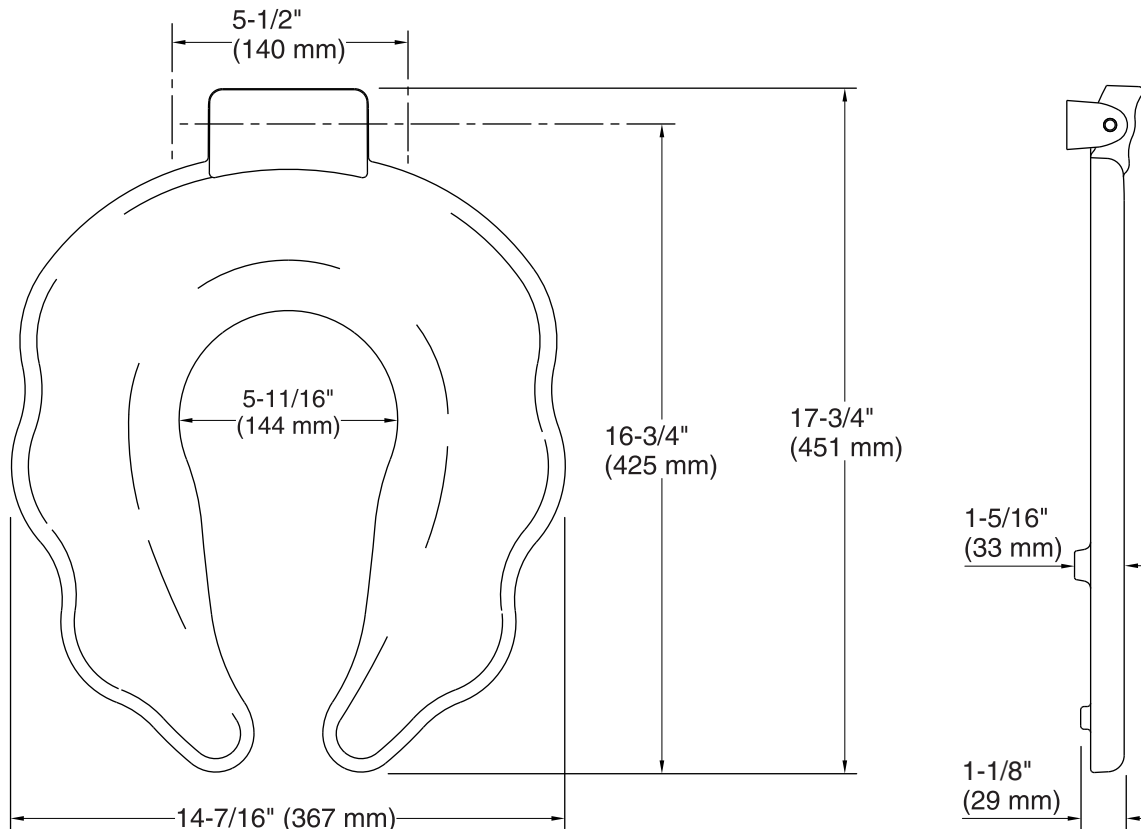
See website for detailed warranty information.

**Available Colors/Finishes**

*Color tiles intended for reference only.*

**Color Code Description**

	0	White
	Y	Yellow
	B	Blue



### Technical Information

All product dimensions are nominal.

Seat shape type: Round-front

Seat front type: Open-front

Seat-mounting holes: 5-1/2" (140 mm)

### Notes

Install this product according to the installation guide.