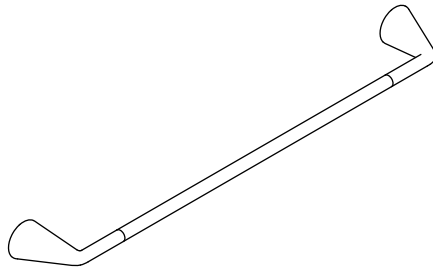
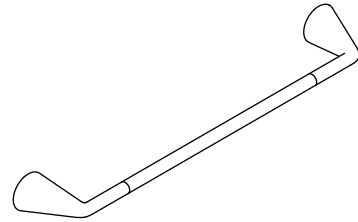


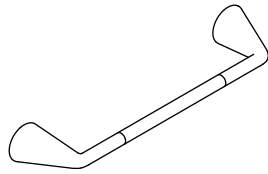
INSTALLATION INSTRUCTIONS



P34800



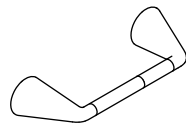
P34801



P34802



P34806



P34808

INSTALLATION INSTRUCTIONS

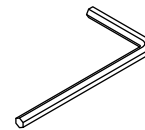
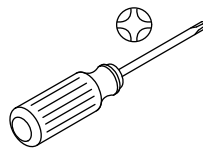
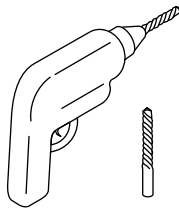
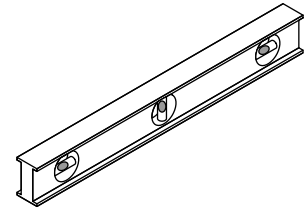
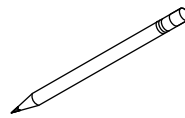
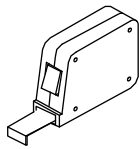
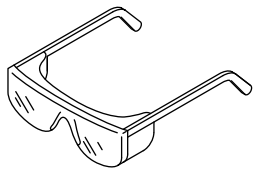
THANK YOU FOR CHOOSING KALLISTA

We appreciate your commitment to KALLISTA quality products. Please take a moment to review this manual before you install your KALLISTA product. If you encounter any installation or performance problems, please do not hesitate to contact us at the phone number listed at the bottom of the page.

BEFORE YOU BEGIN

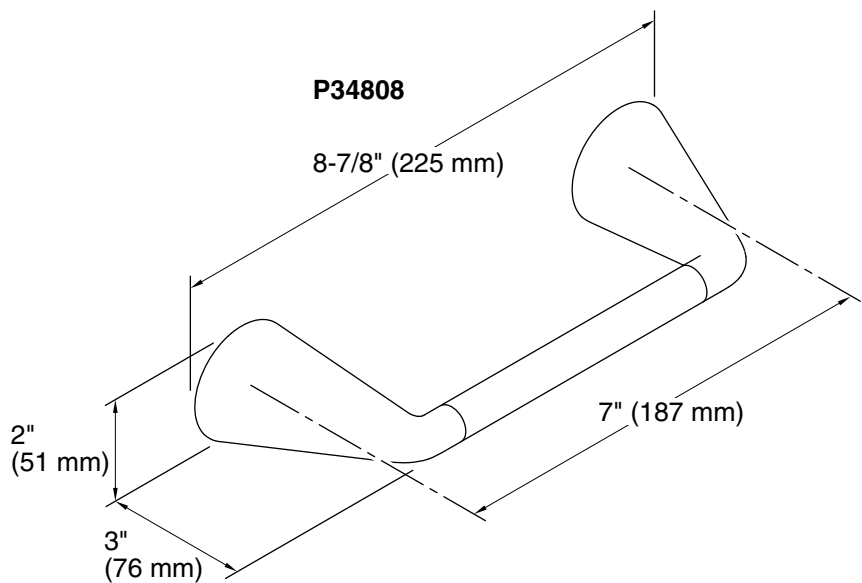
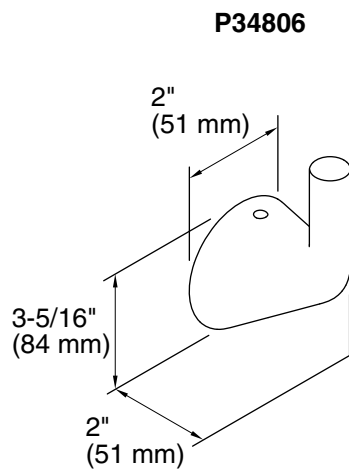
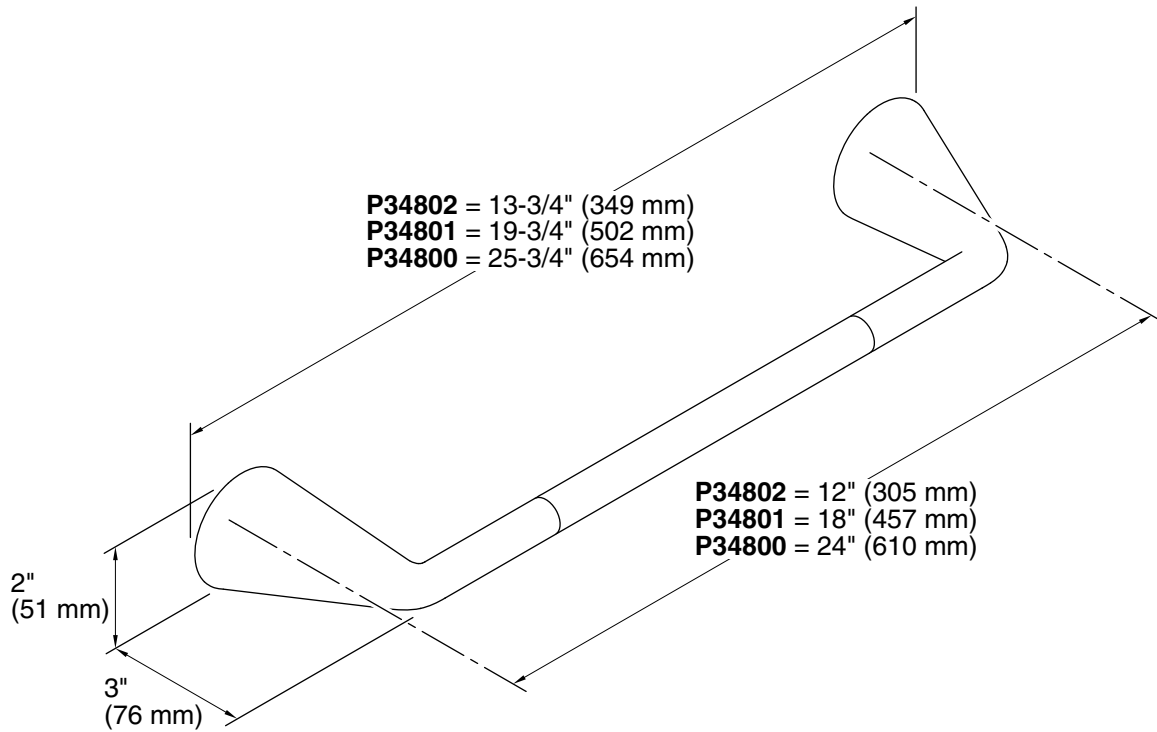
- Observe all local building codes.
- Prior to installation, unpack the new product and inspect it for damage. Return the product to its protective carton until you are ready to install it.

TOOLS AND MATERIALS



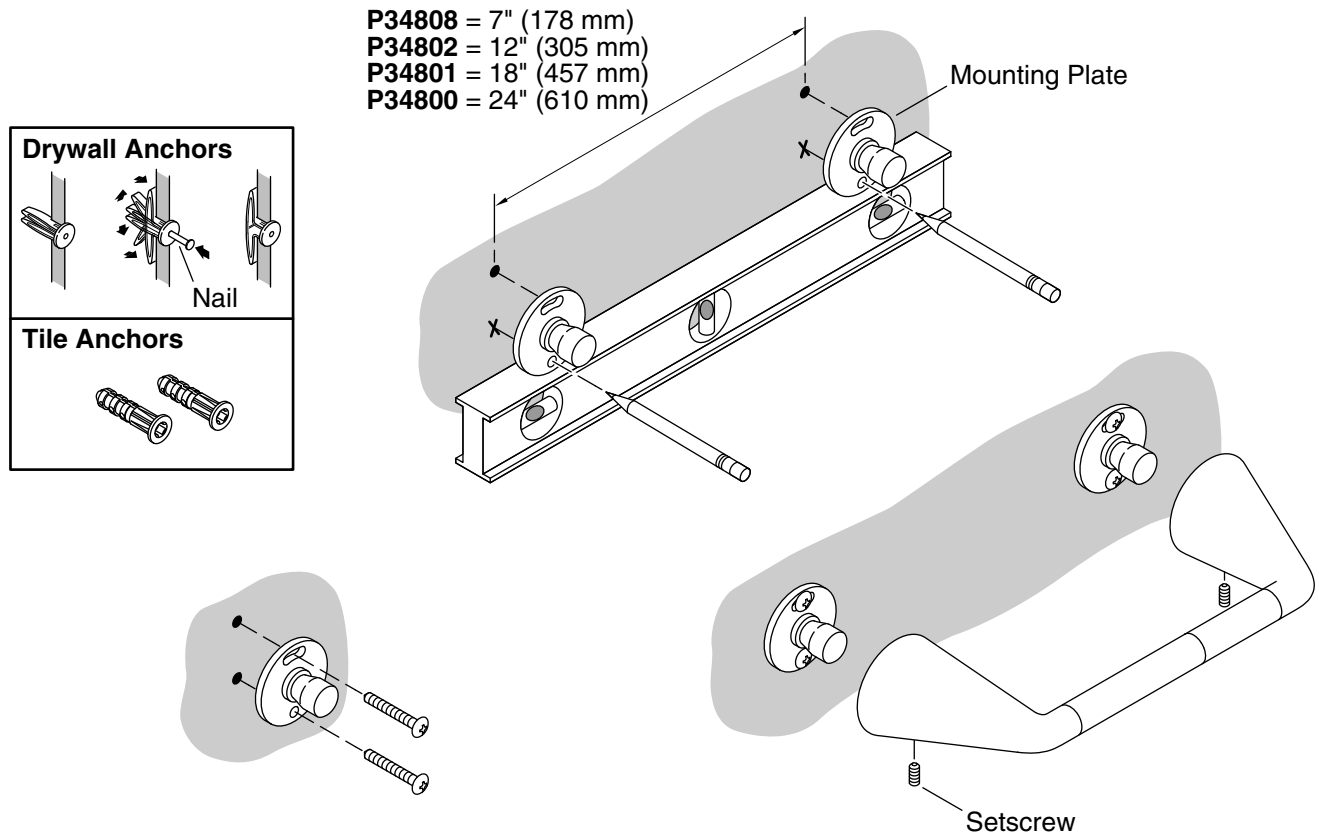
INSTALLATION INSTRUCTIONS

ROUGHING-IN INFORMATION



INSTALLATION INSTRUCTIONS

1. INSTALL THE TOWEL BAR AND TISSUE HOLDER



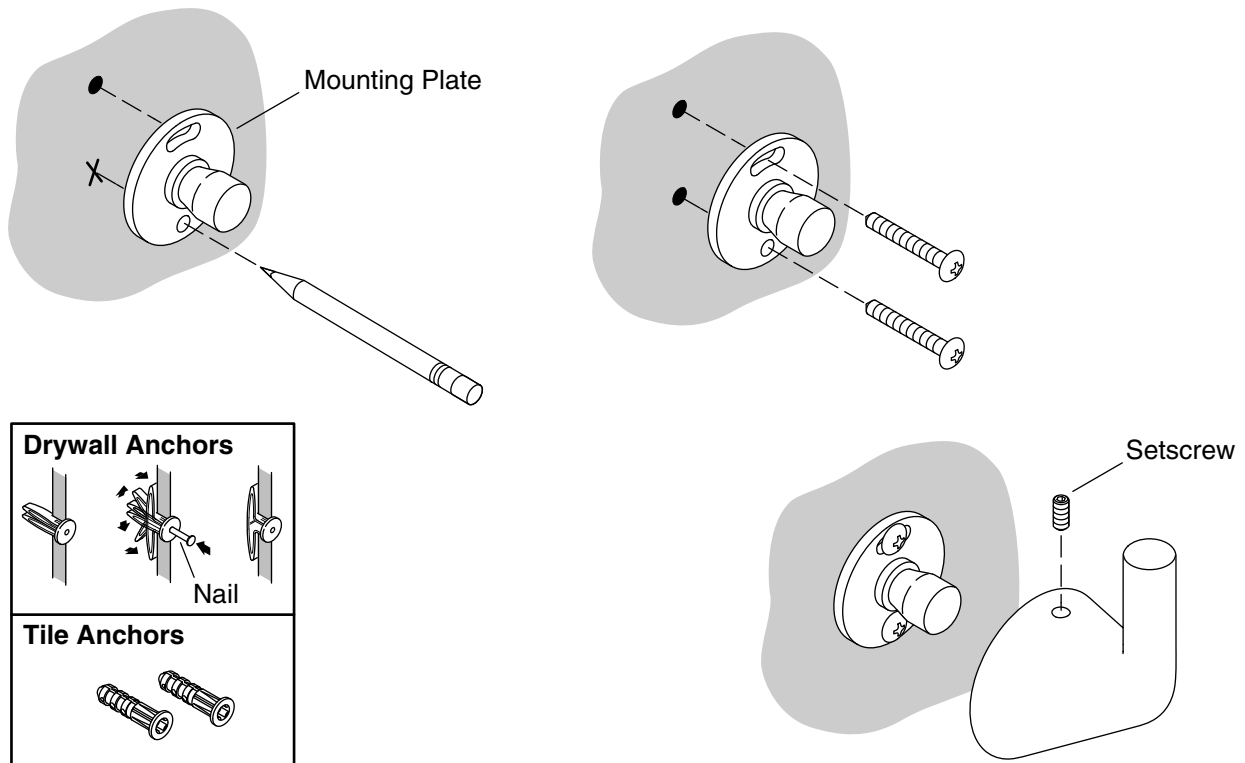
- Measure and mark the top hole locations for the mounting plates based on the dimensions shown.
- Align the wall plates with the marked top hole locations and mark the bottom hole for each wall plate.
- Make sure the mounting plates will be level when mounted.

NOTE: Anchors have been supplied for both drywall and tile applications. If anchors are needed, select the correct anchors for the wall material.

- If drilling into a stud, drill pilot holes for the wood screws. If there is not a stud behind the mounting plate location, drill holes to accommodate the anchors.
- Install the anchors, if using. Attach the mounting plates to the finished wall with the wood screws.
- Use the setscrews to secure the towel bar or tissue holder assembly to the mounting plates.

INSTALLATION INSTRUCTIONS

2. INSTALL THE HOOK



- Determine the location of the mounting plate.
 - Mark the location of the mounting plate holes on the finished wall.
- NOTE:** Anchors have been supplied for both drywall and tile applications. If anchors are needed, select the correct anchors for the type of wall material.
- If drilling into a stud, drill pilot holes for the wood screws. If there is not a stud behind the mounting plate location, drill holes to accommodate the anchors.
 - Install the anchors, if using. Attach the mounting plate to the finished wall with the wood screws.
 - Secure the hook assembly to the mounting plate with the setscrew.