



"Demand Quality, Demand idh" ©

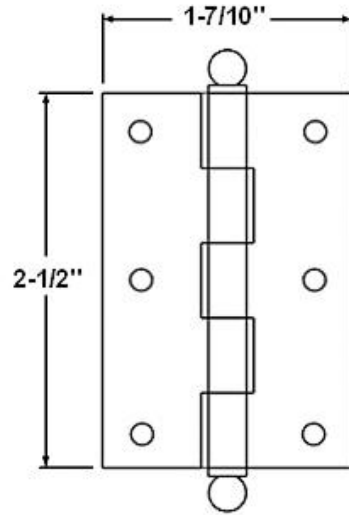
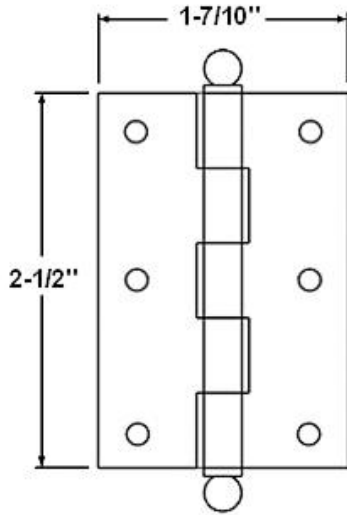
by St. Simons, Inc.

idhbrass.com

Premium Quality Solid Brass Decorative Hardware & Bath Accessories

Product Data Sheet
Premium Grade Solid Brass

2-1/2" x 1-7/10" Solid Extruded Brass Loose Pin Mortise Cabinet Hinges (Pair)
Item# 82517



Dimensions:

- Length of Joint: 2.5"
- Width Open: 1.7"
- Gauge of Metal: 0.093"
- Finial Diameter: 0.22"
- Barrel Diameter: 0.23"
- Net Weight: 2.2 oz. (1 Hinge)
- Net Weight: 4.3 oz. (2 Hinges)
- Gross Weight: 5.5 oz. (per inner box)

Dimensions are for reference use only.

For exact dimensions, please measure actual part.

Product Description & Features:

82517 2-1/2" x 1-7/10" Solid Extruded Brass Loose Pin Mortise Cabinet Hinges (Pair)

- Solid Brass Phillips Flathead Screw
- Screw: #6 x 0.75"
- Screw Qty. per pair: 12
- Packing per box: 1 pair
- Pin Material: 304 Stainless Steel



Catalog Section: J

2-1/2" x 1-7/10" Solid Extruded Brass Loose Pin Mortise Cabinet Hinges (Pair)

Item# 82517

Date: Rev 03/15