



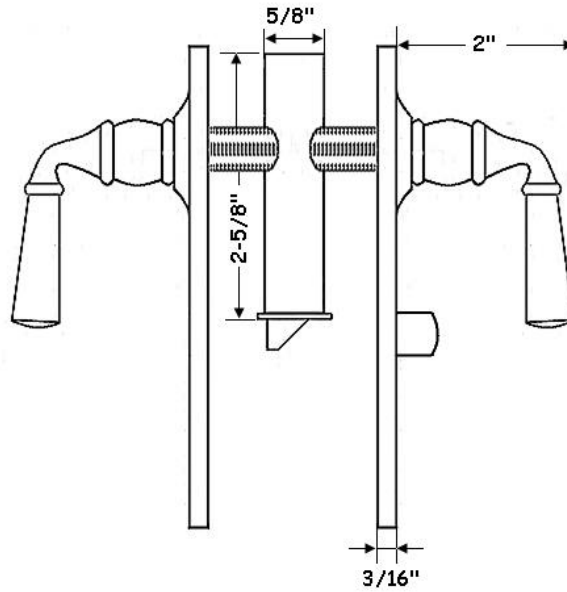
"The Special Finishes Specialist" ©

by St. Simons, Inc.

idhbrass.com

Quality Solid Brass Decorative Hardware & Bath Accessories

Product Data Sheet
 Premium Grade Solid Brass
Dual Lever Rectangular Escutcheon Storm Door Latch
Item# 21262



Dimensions:

- Backset: 1-3/4"
- Plates: 1-1/2" x 4-1/2"
- Lever Projection: 2"
- Latch Bore: 5/8"
- Door Thickness: 7/8" – 1-5/8"
- Weight: 14 oz.

*Dimensions are for reference use only.
 For exact dimensions, please measure actual part.*

Product Description & Features:

21262 Solid Brass Dual Lever Rectangular Escutcheon Storm Door Latch

- Standard Strike: 1-3/4" x 1-1/4"



Catalog Section: I

Dual Lever Rectangular Escutcheon Storm Door Latch

Item# 21262

Date: Rev 03/13