

PVC SYSTEMS INCLUDE:

- 6 Fully directional adjustable PVC jets
- Anti-vortex safety suction
- Color matched system trim
- HydroOzone ozone sanitation system
- Rigid PVC piping
- Self draining pump and system
- Soft Touch electronic on/off control with 30-minute integral times
- 2.25 HP single speed pump
- Cable waste and overflow
- Requires 120 V 20 Amp Dedicated GFCI (standard whirlpool only)



A majestic tub with style and appeal, the crisp lines and oval shape design of the Carli capture a unique design and feel. The Carli is a bold tub that makes a statement. Visit <http://www.hydrosystem.com> for more details on our options and accessories.



OPTIONS

- *Colonial Grab Bars
- *Integral waste and overflow (linear)
- *Chromatherapy-LED Lighting System
- Chromatherapy-LED Mini Spotlights
- Microban Antibacterial Protection
- Extra high density fiberglass
- Custom jet and pump locations
- Armrests available
- Plated Metallic finish
- Additional directional Jets
- Swirling, Rotating, or Jumbo Jets
- Micro Therapy Jet
- Integral waste and overflow (circular)
- 1.5 HP Variable Speed Pump (digital temperature display optional)
- Electronic low water protection
- In-line heater
- Mood Light
- Back Masseur
- Neck Masseur Pillow
- Hydro Fragrance
- Hydro Fusion
- Hydro Coat
- Hydro Express quick ship

As SHOWN:

Whirlpool option with standard jet location

FEATURES SHOWN:

- Jets
- Drain location
- Overflow location

ALSO AVAILABLE:

- Soaking tub only
- Whirlpool
- Thermal Air
- Combo



SIZE:

60.36.19

WATER CAPACITY:

45 Gallons

WEIGHT:

85 Pounds

ACRYLIC TUB

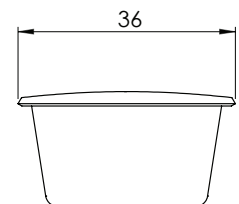
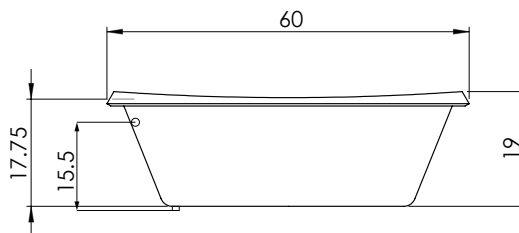
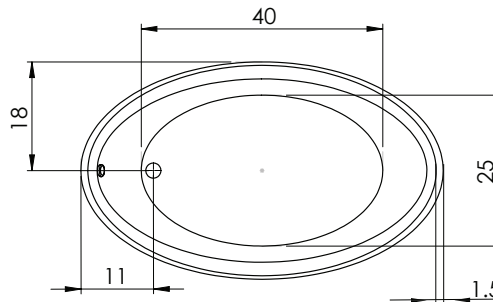
- Acrylic models finished in 1/8" thick layer of deep lustrous acrylic
- Extra thick reinforced fiberglass
- Pre-wired pump on pump platform (standard pump location only)
- Integral E-Z level platform facilitates installation

MODEL 6036 DIMENSIONS:

- (L)ength- 60"
- (W)idth- 36"
- (H)eight Finish- 19"

FRAMING SPECIFICATIONS:

Opening (L)ength - 58"
 Opening (W)idth - 34"
 Ledger- 18.25"



CODES AND COMPLIANCES

Massachusetts code File no: P1-0614-491

