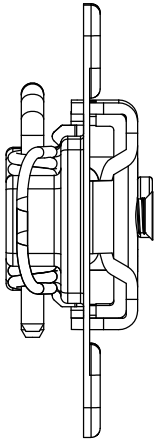
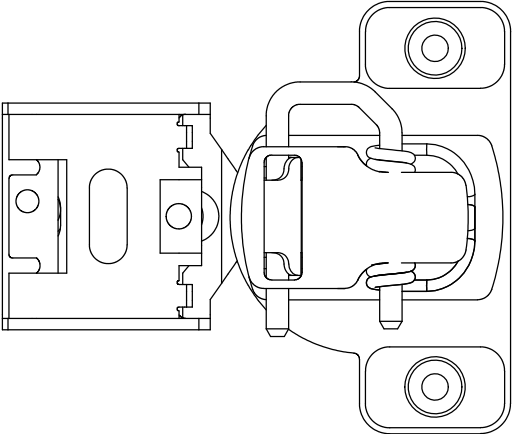
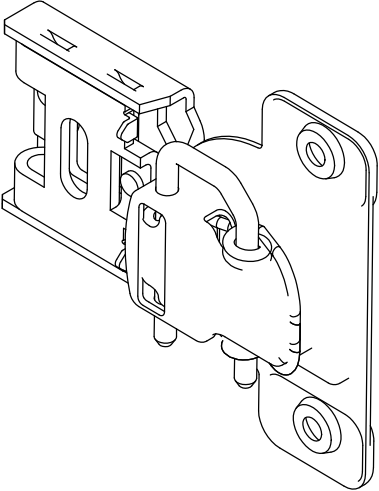
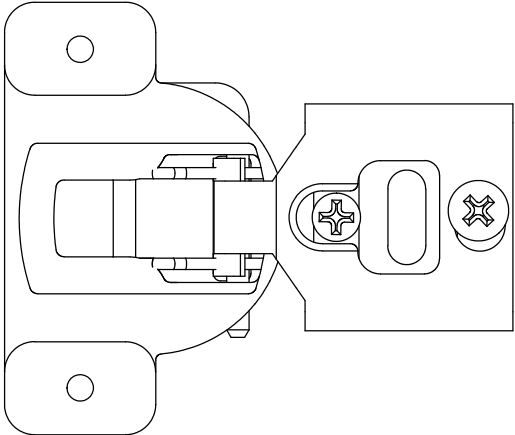
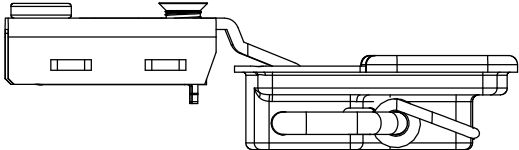


Drawn by: Udhay.N	Scale: 2:1	Date: 09/15/05	HARDWARE RESOURCES
<p style="text-align: center;">TOLERANCES</p> <p style="text-align: center;">UNLESS OTHERWISE SPECIFIED TOLERANCES ARE IN METRIC</p> <p>OVER ALL LENGTH $\pm 0.1\text{MM}$ ANGLES $\pm 0^\circ 30'$</p>			4319 MARLENA ST, BOSSIER CITY, LA71111
			PART NAME: NEW HINGE
			MATERIAL:
			ITEM NO:
			PLATING:

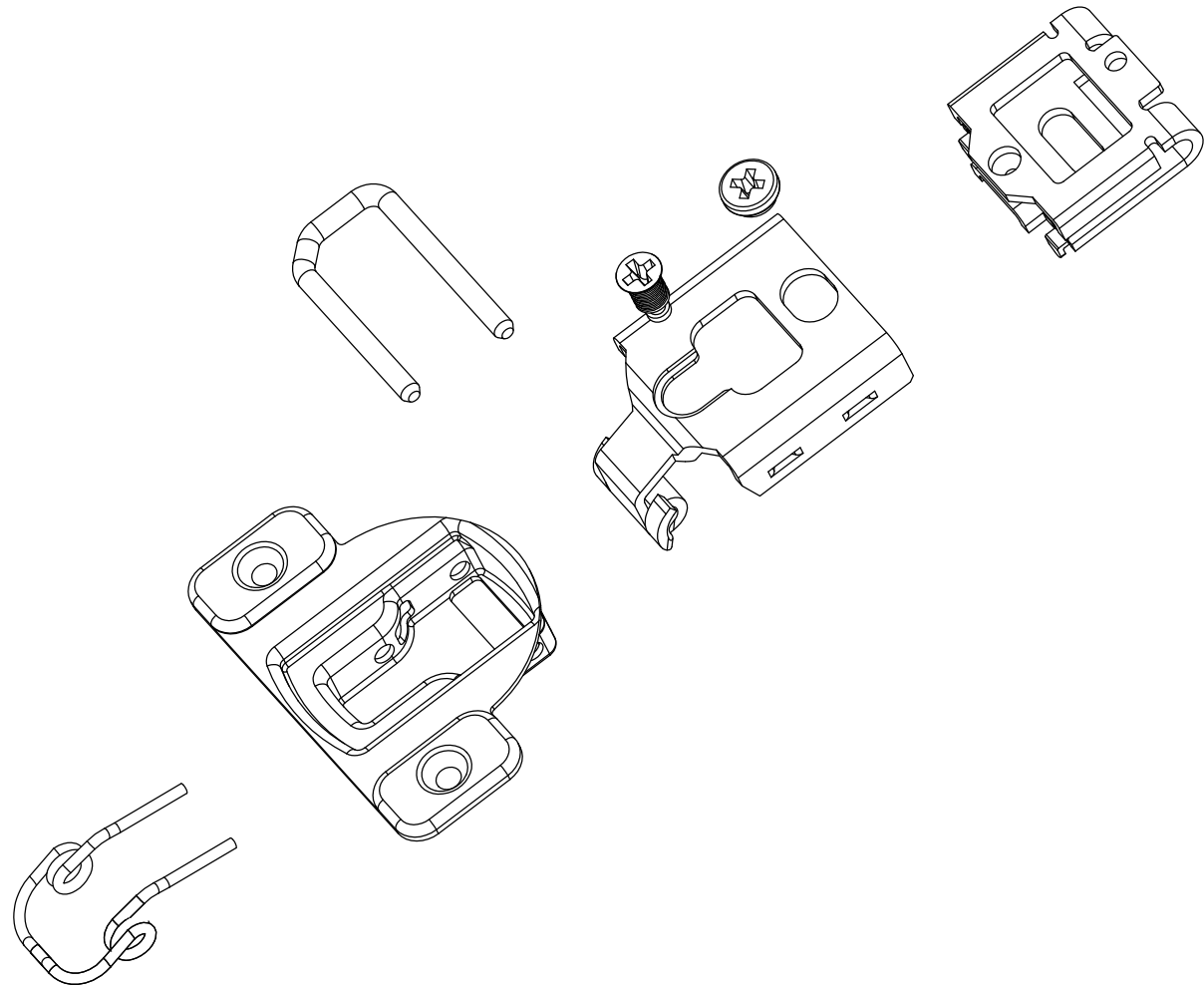
* - Critical Dimensions

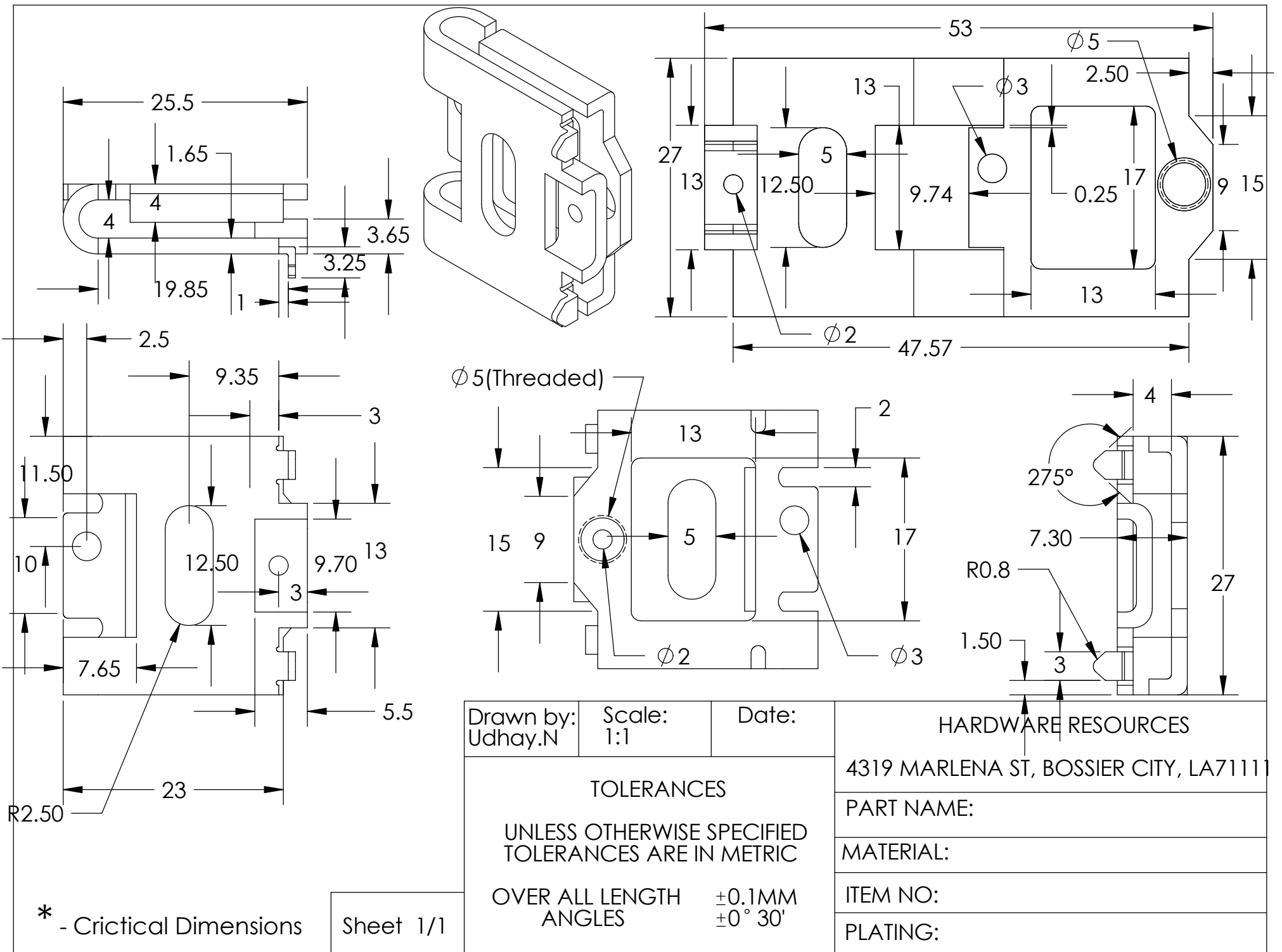
Sheet 1/3

All Views



Exploded View





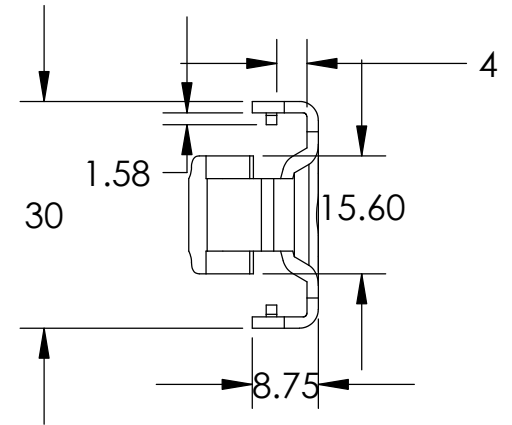
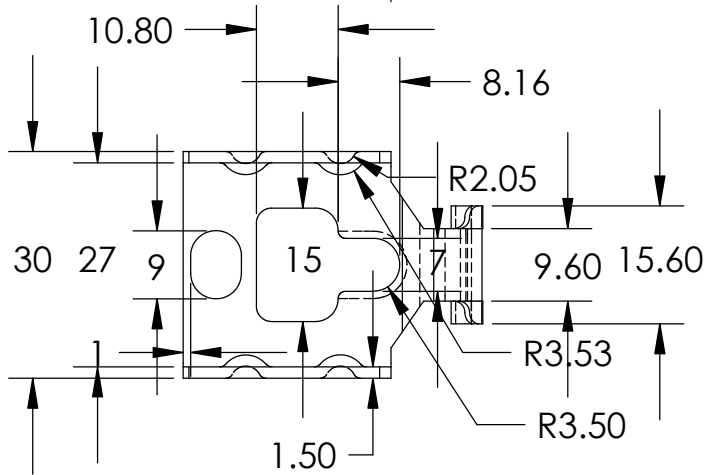
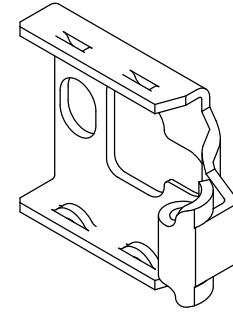
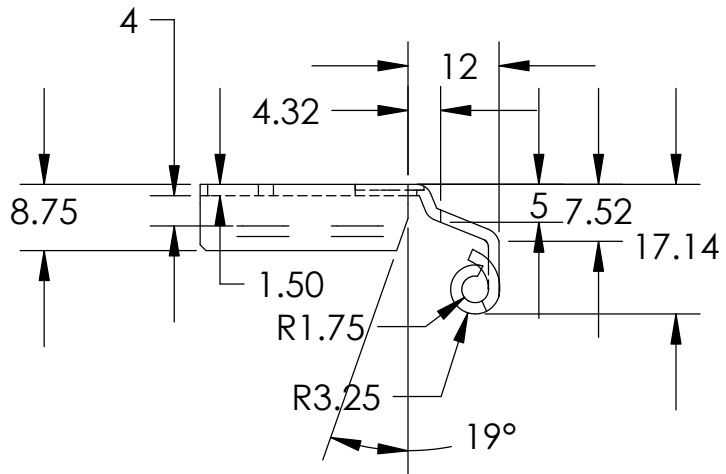
5

4

3

2

1



Drawn by: Udhay.N	Scale: 1:1	Date: 09/15/05
----------------------	---------------	-------------------

HARDWARE RESOURCES	
4319 MARLENA ST, BOSSIER CITY, LA71111	
PART NAME:	
MATERIAL:	
ITEM NO:	
PLATING:	

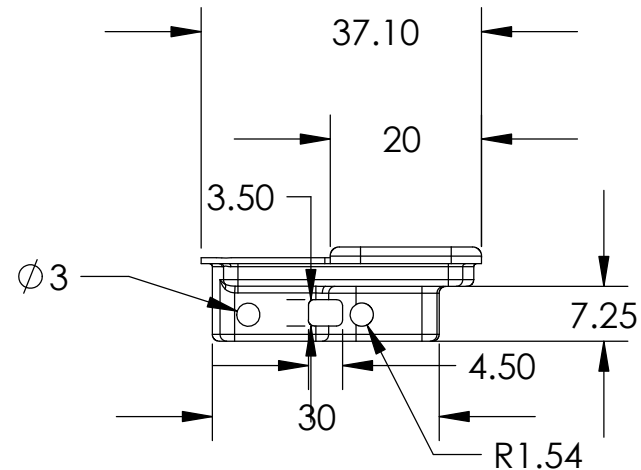
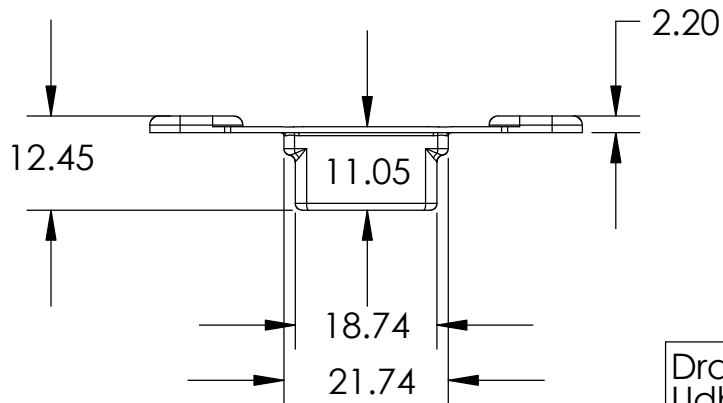
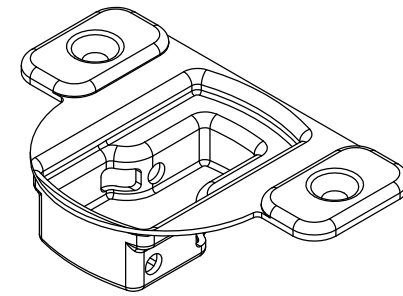
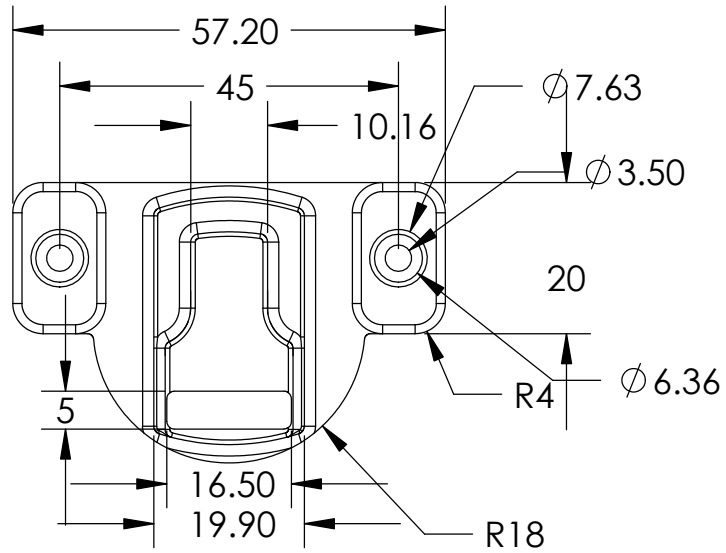
TOLERANCES

UNLESS OTHERWISE SPECIFIED
TOLERANCES ARE IN METRIC

OVER ALL LENGTH	±0.1MM
ANGLES	±0° 30'

* - Critical Dimensions

Sheet 3/3



Drawn by: Udhay.N	Scale: 1:1	Date:	HARDWARE RESOURCES
<p style="text-align: center;">TOLERANCES</p> <p style="text-align: center;">UNLESS OTHERWISE SPECIFIED TOLERANCES ARE IN METRIC</p> <p style="text-align: center;">OVER ALL LENGTH $\pm 0.1\text{MM}$ ANGLES $\pm 0^\circ 30'$</p>			4319 MARLENA ST, BOSSIER CITY, LA71111
			PART NAME:
			MATERIAL:
			ITEM NO:
			PLATING:

* - Critical Dimensions

Sheet 1/1