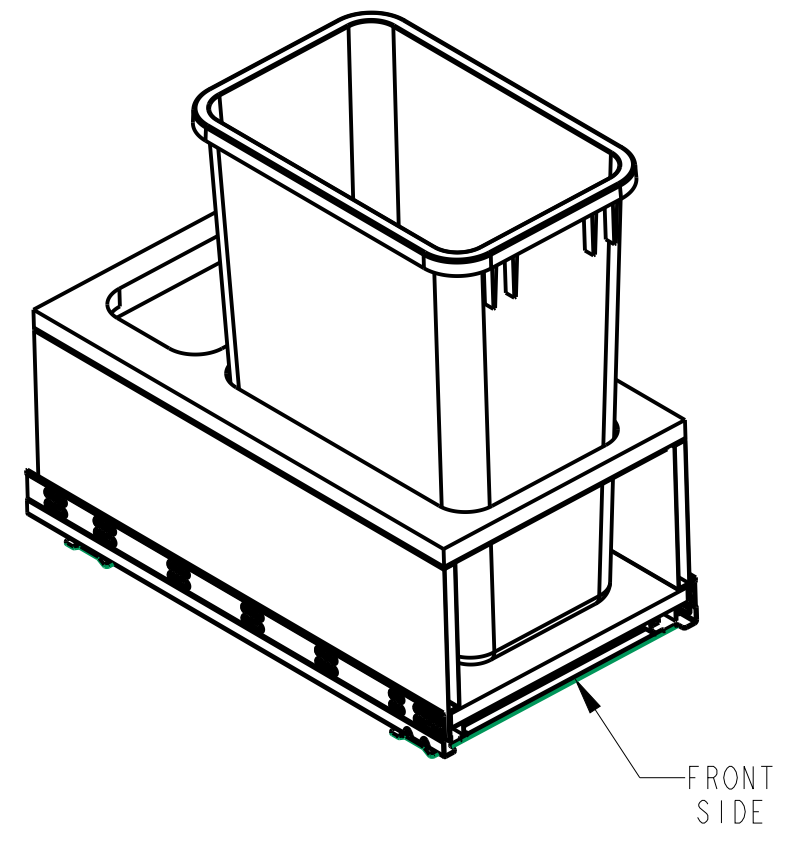
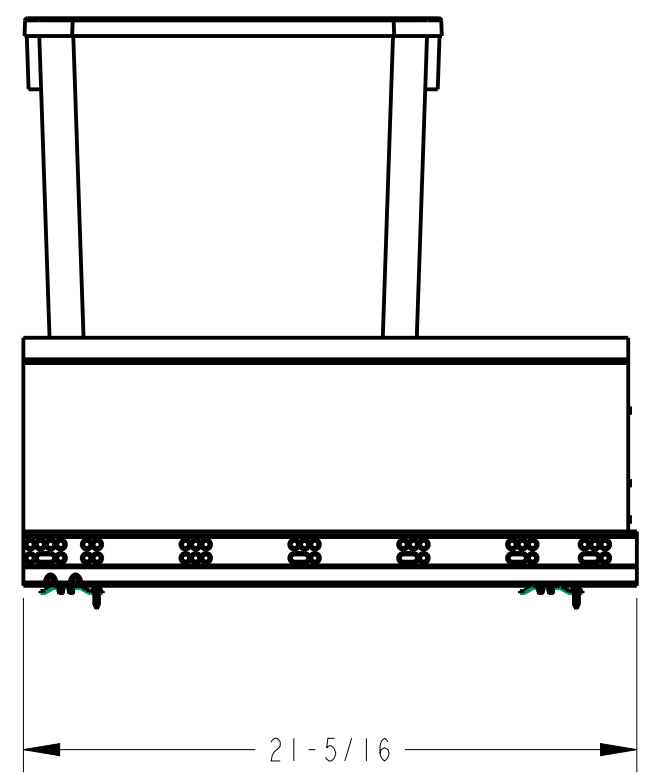
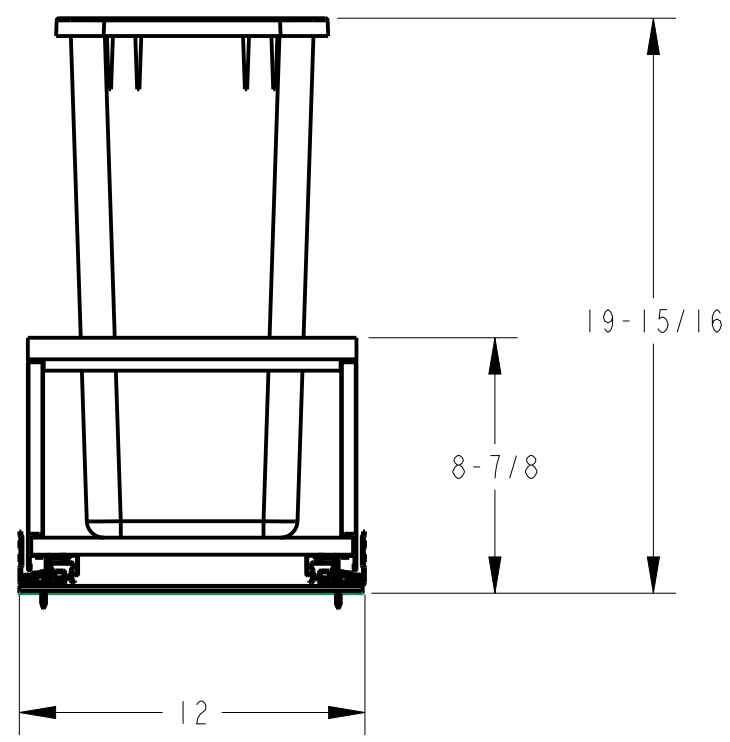


8 7 6 5 4 3 2 1

F
E
D
C
B
A

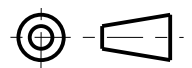


F
E
D
C
B
A

DOCUMENT STATUS

HARDWARE RESOURCES RESERVES THE RIGHT TO CHANGE SPECIFICATIONS WITHOUT NOTICE.
IN CASE OF A DISCREPANCY, ACTUAL PART GEOMETRY SUPERSEDES THIS DOCUMENT.

THE INFORMATION CONTAINED WITHIN THIS DRAWING IS THE SOLE PROPERTY OF HARDWARE RESOURCES INC. ANY REPRODUCTION IN PART OR WHOLE WITHOUT WRITTEN PERMISSION OF HARDWARE RESOURCES INC. IS PROHIBITED.

| | | | | |
|------------------------|--------|--|--|----------------|
| THIRD ANGLE PROJECTION | |  hardware resources | | |
| MATERIAL | FINISH | | | |
| N/A | N/A | DESCRIPTION | | |
| DRAWN BY | | DATE | | CANMDB5-S35G |
| EDVIN.GOLESTANYAN | | 19DEC2019 | | |
| DESIGNED BY | | DATE | | DRAWING NUMBER |
| EDVIN.GOLESTANYAN | | N/A | | CANMDB5-S35G |
| APPROVED BY | | DATE | | REV |
| DENNIS.MCGREGOR | | 19DEC2019 | | 1 / 1 |
| SIZE | SCALE | SHEET | | |
| A3 | 0.150 | 1 / 1 | | |

8 7 6 5 4 3 2 1