



Product specifications

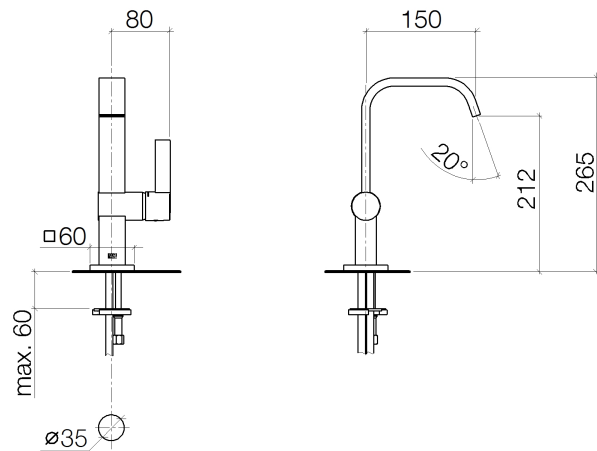
• **5-7/8" Projection**

- Fixed spout
- Rectangular aerated stream
- Total height 10-3/8"
- Height to aerator/spout outlet 8-3/8"
- 1-3/8" hole diameter
- Flange 2-3/8" x 2-3/8"
- 2x 10 mm flexible supply lines including 3/8" US adapters
- Water flow rate limited to max. 1.2 gpm
- low lead compliant

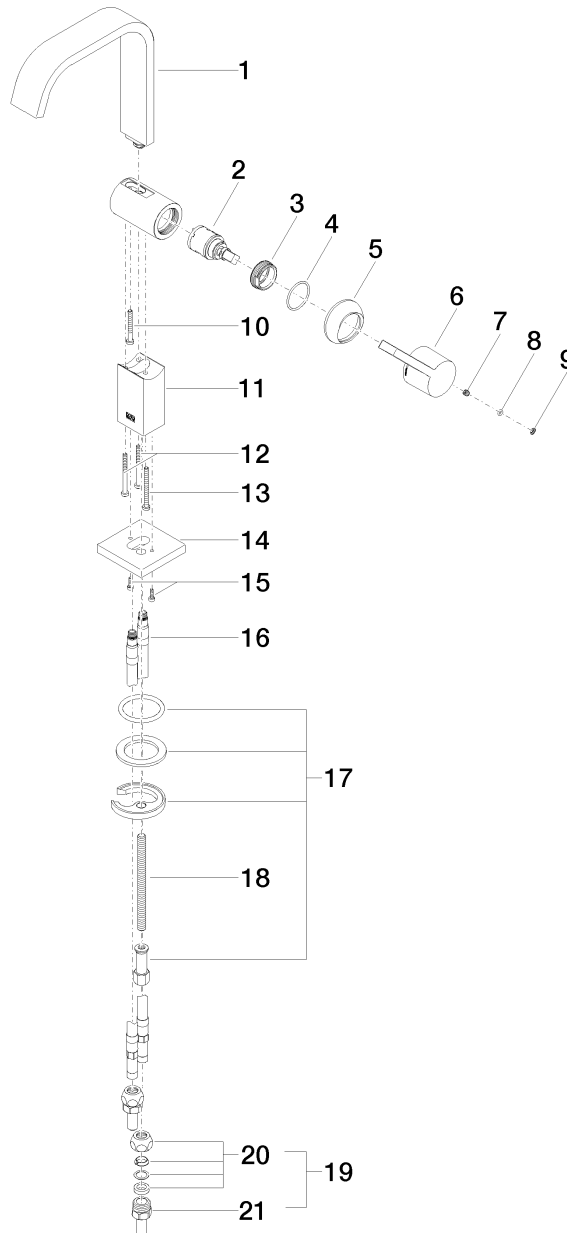
(ADA)

Surfaces

- chrome 33526670-000010
- matt platinum 33526670-060010



Exploded assembly drawing



Order quantity

No.	Article number	Name	Installation quantity
1	90282226601ff	spout	1
2	9015050420090	cartridge	1
3	09240426690	nut	1
4	09141012090	seal	1
5	092830019ff	cover	1
6	092067010ff	handle	1
7	09311103090	pin	1
8	09141013390	seal	1
9	093120087ff	plug	1
10	09303009790	screw	1
11	091967001ff	casing	1
12	09303008690	screw	2
13	09303009290	screw	1
14	092767013ff	rosette	1
15	09303016790	screw	1
16	0430040980090	hose	2
17	0430110387590	fixing set	1
18	09311101290	pin	1
19	04240422200ff	adaptor	1
20	04233003101-07	threaded connector	2
21	09240422210ff	adaptor	2

Bath & Spa

IMO Single-lever lavatory mixer with raised spout without drain

Article number: 33526670ff0010

