



### Product specifications

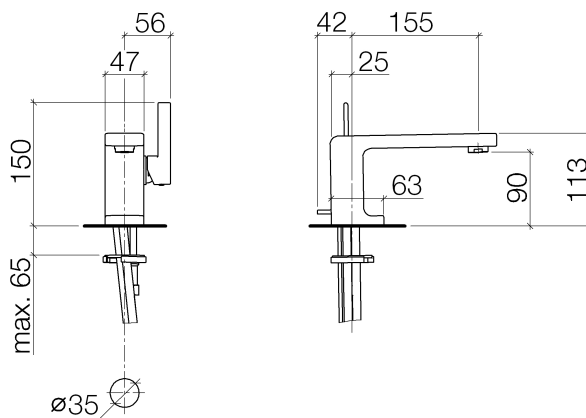
#### • 6-1/8" Projection

- US drain with overflow
- Fixed spout
- Round aerated stream
- Total height 4-1/2"
- Height to aerator/spout outlet 3-1/2"
- 1-3/8" hole diameter
- 2x 10 mm flexible supply lines including 3/8" US adapters
- Water flow rate limited to max. 1.2 gpm
- low lead compliant

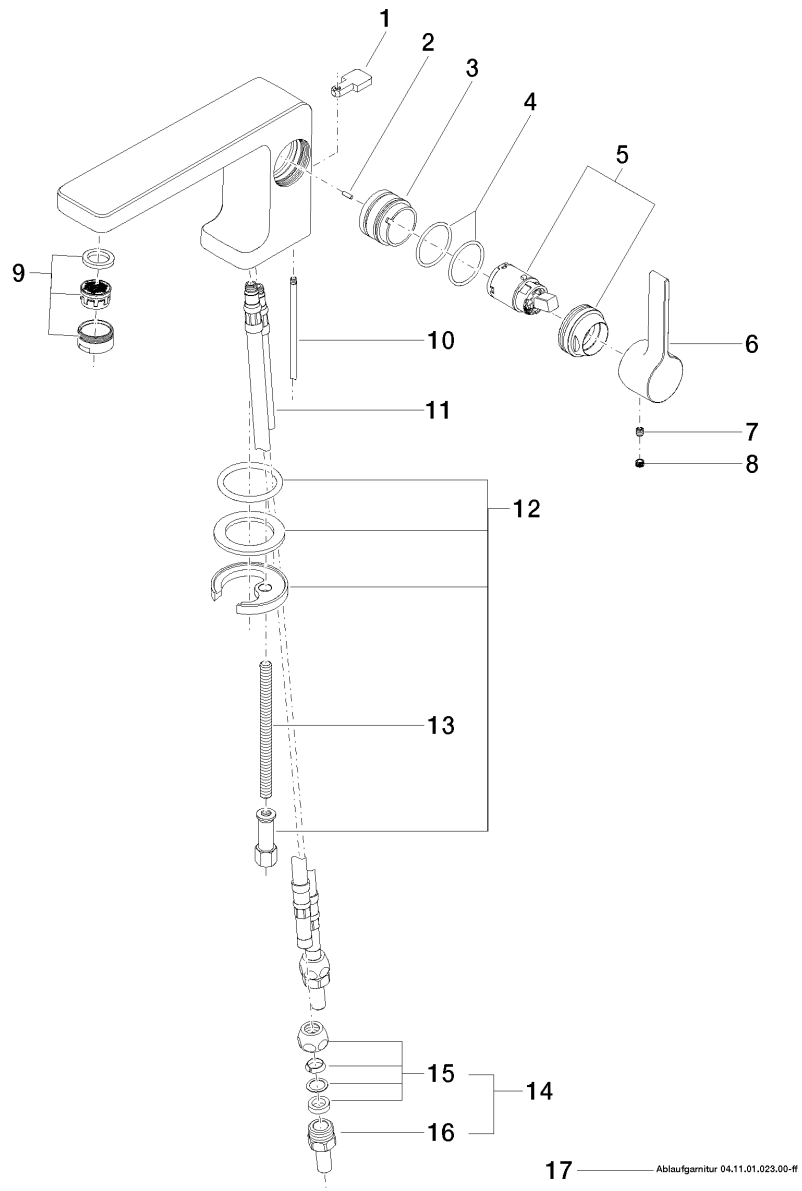
**(ADA)**

### Surfaces

- chrome 33500710-000010
- matt platinum 33500710-060010



**Exploded assembly drawing**



**Order quantity**

<b>No.</b>	<b>Article number</b>	<b>Name</b>	<b>Installation quantity</b>
1	092071030ff	handle	1
2	09311111190	pin	1
3	0918400951090	sleeve	1
4	09141013790	seal	2
5	90150504100ff	cartridge	1
6	092071040ff	handle	1
7	09311103090	pin	1
8	09312010990	plug	1
9	90230111804ff	aerator	1
10	093109080ff	pull-rod	1
11	0430040180090	hose	2
12	0430110387590	fixing set	1
13	09311101290	pin	1
14	04240422200ff	adaptor	1
15	04233003101-07	threaded connector	2
16	09240422210ff	adaptor	2
17	04110102300ff	pop-up waste	1

Bath & Spa

**LULU Single-lever lavatory mixer with drain**

Article number: 33500710ff0010



**Flow rate chart**

