

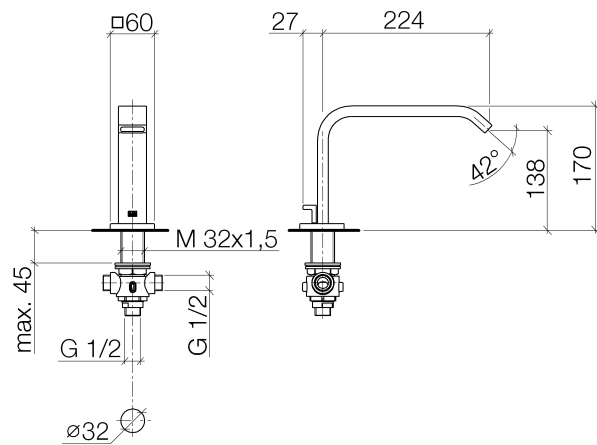


Product specifications

• 8-7/8" Projection

- Rectangular aerator
- Integrated diverter
- Total height 6-3/4"
- Height to aerator/spout outlet 5-3/8"
- 1-1/4" hole diameter
- Flange 2-3/8" x 2-3/8"
- 1/2" connection
- Water flow rate limited to max. 7.9 gpm

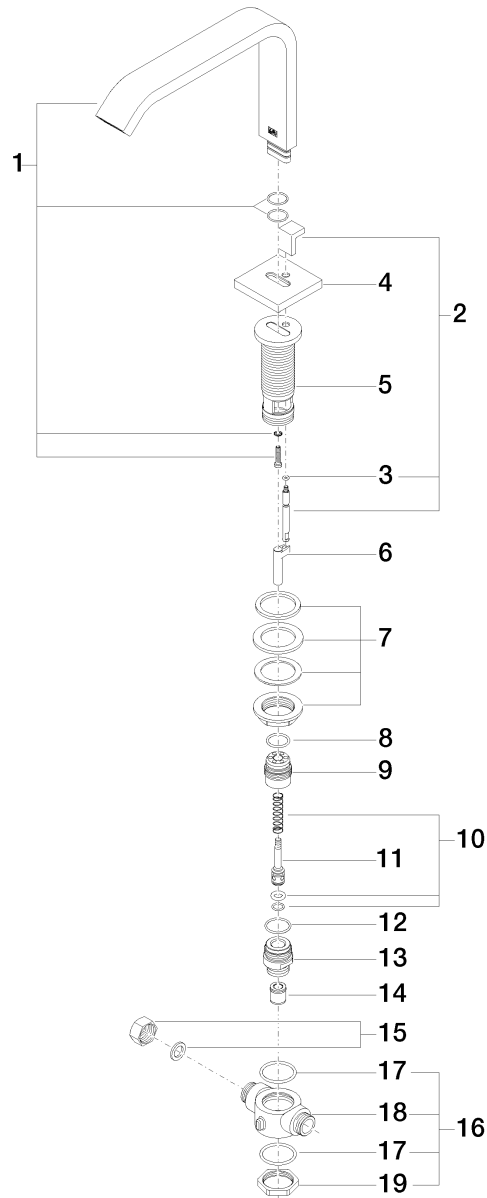
Internal backflow preventer.



Surfaces

- chrome 13512670-00
- matt platinum 13512670-06

Exploded assembly drawing



Order quantity

No.	Article number	Name	Installation quantity
1	90282224500ff	spout	1
2	04207803000ff	pull-rod	1
3	09141011390	seal	1
4	092767007ff	rosette	1
5	0930010892090	adaptor	1
6	09172006790	holder	1
7	0423100090190	fixing set	1
8	09141012290	seal	1
9	0924031052090	nipple	1
10	9016020230090	spring	1
11	09310903220ff	pull-rod	1
12	09141005690	seal	1
13	0924031062090	nipple	1
14	09230114190	back-flow preventer	1
15	0421020060092	cap	1
16	0417110430090	distributor	1
17	09141010190	seal	2
18	0917110432090	distributor	1
19	09231003290	nut	1



Flow rate chart

