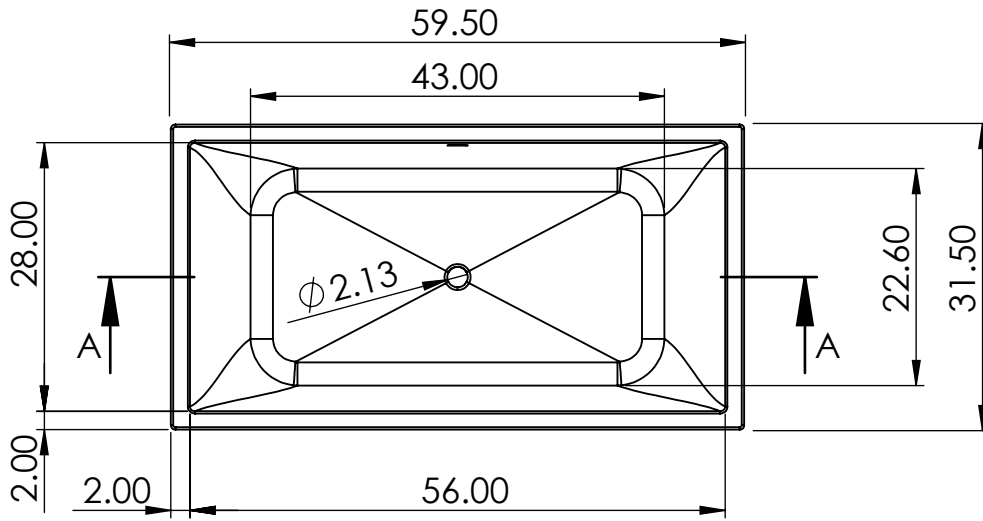
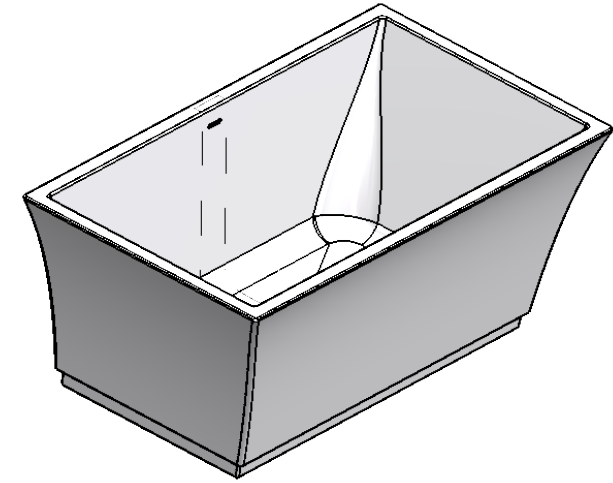


B

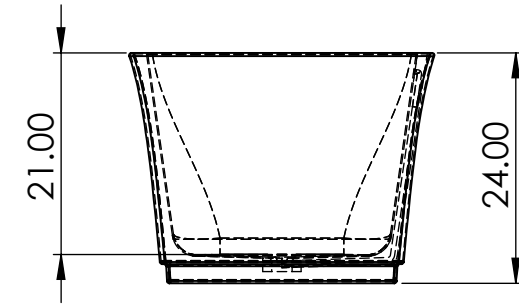
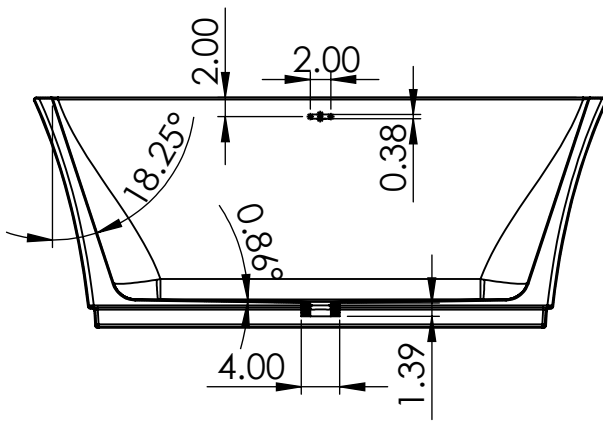


1



B

A



SECTION A-A

PROPRIETARY AND CONFIDENTIAL
 THE INFORMATION CONTAINED IN THIS DRAWING IS THE SOLE PROPERTY OF CLARKE PRODUCTS INC. ANY REPRODUCTION IN PART OR AS A WHOLE WITHOUT THE WRITTEN PERMISSION OF CLARKE PRODUCTS INC. IS PROHIBITED.

NEXT ASSY	USED ON
APPLICATION	

UNLESS OTHERWISE SPECIFIED:	NAME	DATE
DIMENSIONS ARE IN INCHES	ENGINEER	
EXCEPT WHERE STATED OTHERWISE, TOLERANCES ON DIMENSION: ± 0.25	OPS MGR.	
INTERPRET GEOMETRIC TOLERANCING PER:	V.P	
MATERIAL	PRESIDENT	
FINISH	Q.A.	
	COMMENTS:	
DO NOT SCALE DRAWING		

CLARKE PRODUCTS

TITLE:		
NELA		
SIZE	DWG. NO.	REV
A		1
SCALE: 1:20 WEIGHT:		SHEET 1 OF 1

A

2

1