



California Faucets®

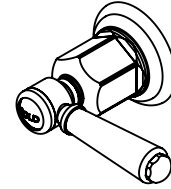
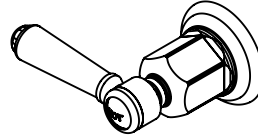
Cardiff™

TWO HANDLE TUB OR SHOWER TRIM

TO-3506L

Features

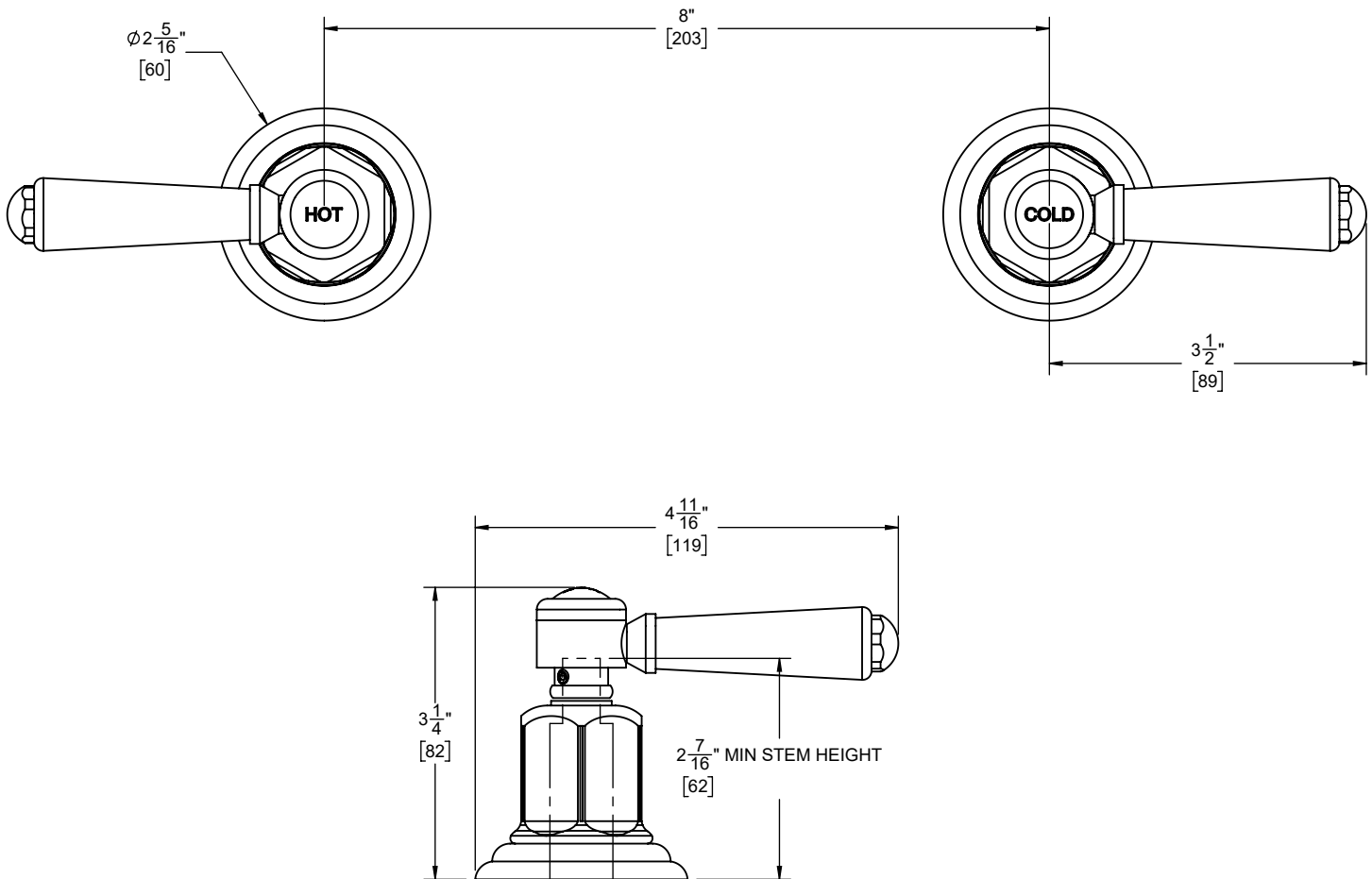
- Available in 28 finishes including 13 PVD finishes
- All brass construction
- Less head, arm, flange, and spout
- Requires rough valve: 2-VR or VL-R (sold separately)



Codes/Standards Applicable

Product meets or exceeds the following:

- ASME A112.18.1/CSA B125.1
- ADA compliant



THROUGH-HOLE SPECIFICATIONS		
MIN	RECOMMENDED	MAX
$\phi 1$ " [25]	$\phi 1\text{-}3/8$ " [35]	$\phi 1\text{-}1/2$ " [38]

SPECIFICATIONS SUBJECT TO CHANGE WITHOUT NOTICE

DIMENSIONS SHOWN TO NEAREST 1/16"
[DIMENSIONS SHOWN TO NEAREST 1mm]