

4

3

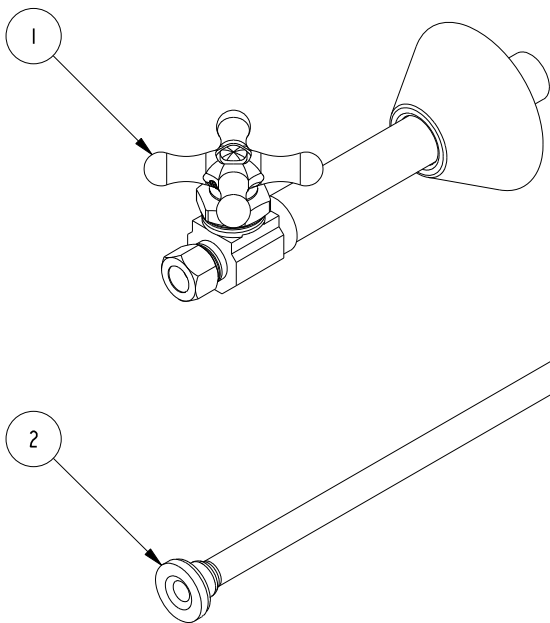
2

NOTES:

(N1) 1. FIT / FORM / FUNCTION SHALL FOLLOW PS-E.008.

BILL OF MATERIAL (CURRENT LEVEL)

ITEM	PT/ASSY	DESCRIPTION	TYPE	QTY.
1	417X	STRAIGHT VALVE W/ X HDL 1/2" SWT 3/8"	ASSEMBLY	1
2	436	SUPPLY TUBE FLAT HD 3/8" X 20"	ASSEMBLY	1



COPYRIGHT 2005 BRASSTECH, INC.
 THESE DRAWINGS AND THE DESIGNS
 DEPICTED HEREIN ARE THE PROPRIETARY
 PROPERTY OF BRASSTECH. ANY USE
 OR REPRODUCTION IS SUBJECT TO
 THE EXPRESS APPROVAL OF BRASSTECH.
 UNAUTHORIZED USE IS STRICTLY
 PROHIBITED. ALL RIGHTS RESERVED.

ZONE	REV	DESCRIPTION	DATE	APPROVED
-	-	RELEASE	07/20/15	H.LE

TESTING	-	-	-	-
ASSEMBLY	-	-	-	-
PLATING	-	-	-	-
POLISHING	-	NEXT ASSY	USED ON	-
MACHINING	-	APPLICATION		-
TOOLING	FIXTURE #	REMOVE ALL BURRS AND SHARP EDGES		-

UNITS ARE: INCHES [MM]	
TOLERANCES ARE:	
FRACTIONS	DECIMALS
±1/16"	±.005
.X ±.1 [2.5]	±1°
.XX ±.06 [1.5]	
(X.XXX) DENOTES CRITICAL DIMS. ALL THREADS ARE CRITICAL	
DRAWN	RAVINDRA 07/20/15
CHECKED	JINSON 07/20/15
APPROVED	H.LE 07/20/15

BRASSTECH 2001 CARNEGIE AVE.
 INCORPORATED SANTA ANA, CA 92705
 (949) 417-5207

TOILET CONNECTION KIT

DWG NO.	4774	REV	-
SCALE	.400	REF.	-
SHEET		OF	

4

3

2