

**68" GITALI
SINGLE SLIPPER
COPPER TUB**

Cat. No.
COTSN68



L: 67-1/2"
W: 31-1/2"
H: 29-5/8"

Rim: 2 1/2" W
Water depth: 13-1/2" to overflow

The following is recommended for COTDS tubs without faucet holes:

- Faucet: **Part #4602, 4604 or 7082**
- Freestanding bath supplies: **Part# 4502**
- Leg tub drain: **Part# 5599LT**



Overflow can be drilled.
With overflow drilled this tub
requires drain 5599 E.
**Tubs that have been
drilled with overflow are
"special order" and
are not returnable.**

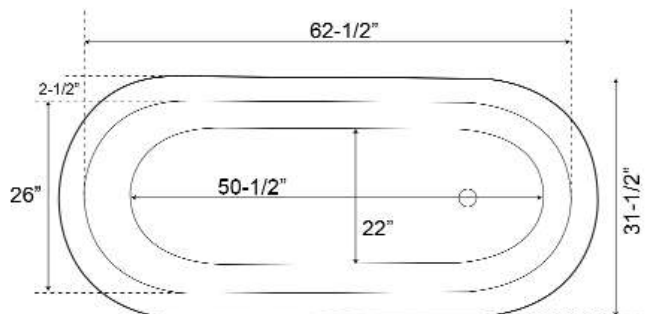
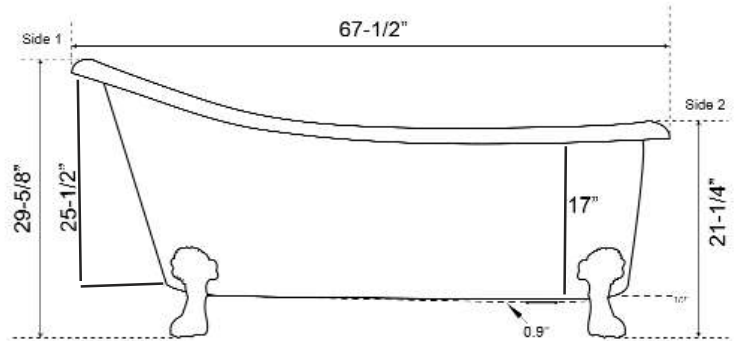
Gallon Capacity without OF: 79
Shipping Weight: 210 lbs.
Empty Weight: 90 lbs.
Filled Weight without OF: 750 lbs.
Filled Weight with OF: 545 lbs.

Features:

- ▶ Single slipper
- ▶ Copper claw feet
- ▶ Constructed of 16 gauge copper
(Copper is a living finish and will patina over time)
- ▶ Hammered antique copper exterior and shiny interior
- ▶ Smooth rim: 2-1/2"
- ▶ No faucet holes
- ▶ No overflow
- ▶ Hand-crafted construction makes each tub unique

Tub Finish:

AC Hammered Antique Copper



Dimensions and specifications subject to change without notice.