

6032ITS – ACCESSIBLE TUB-SHOWERS

inches

Interior: 60 x 32 x 80 ½

Exterior: 65 x 33 x 84



FEATURES

- East zone only
- Premium cast acrylic surface
- 17" skirt
- Smooth wall
- LH or RH drain
- Integral dome
- 5-year limited warranty

OPTIONS

- Grab bars
- Removable seat
- Hand-held shower assembly with slide bar
- Pressure balancing mixing valve
- Curtain rod and/or shower curtain

CODE COMPLIANCE

- ADA
- FHA
- ICC/ANSI A117.1
- IAPMO Z124-2017
- HUD UM73a
- CAN/CSA-B651-04
- CSA-B45-11

**Code compliant when fully equipped and installed according to guidelines.

AQUATIC ADVANTAGE

- 7 manufacturing facilities
- Private fleet
- Centralized customer service
- Field support

COLOR & TRIM OPTIONS

Stock	Upgraded
White	Biscuit

**Additional custom colors available.
(Contact Customer Service)



Aquatic products may be specified as Lasco Bathware.



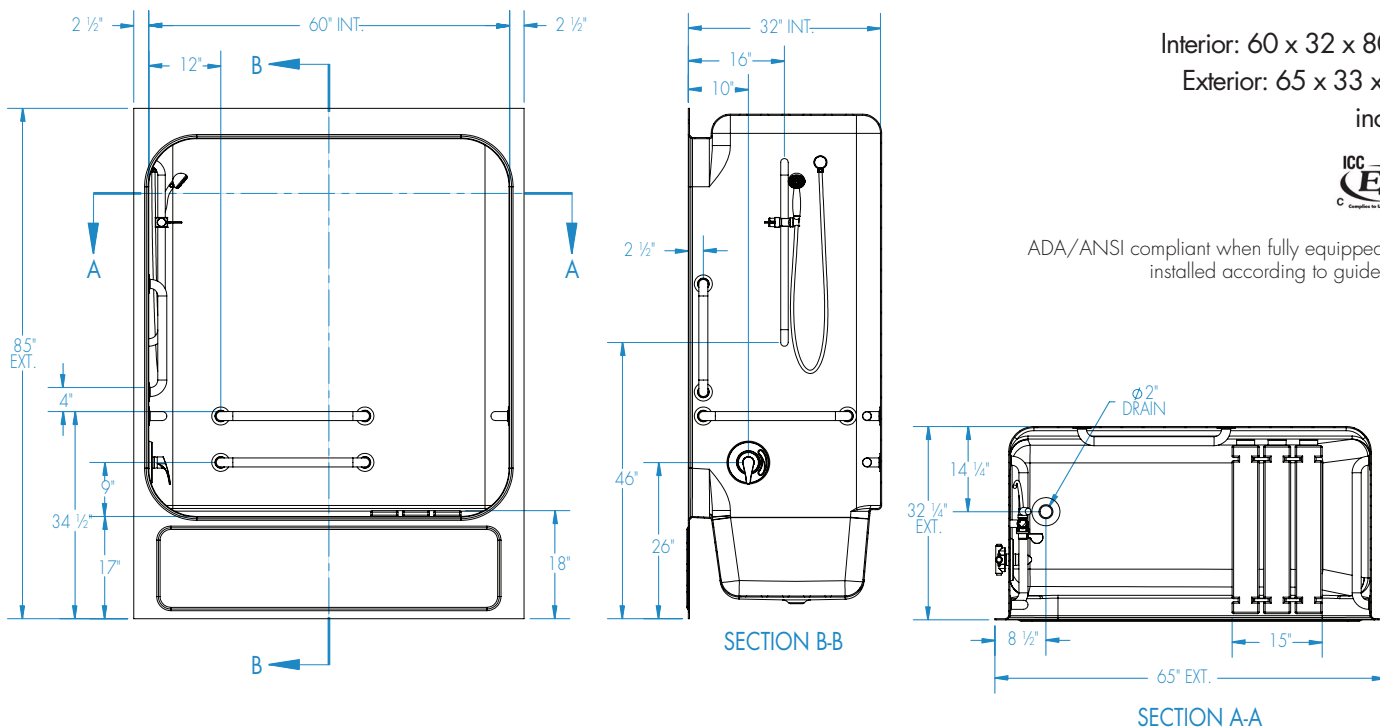
Aquatic products may be specified as Lasco Bathware.

6032ITS

Interior: 60 x 32 x 80 1/2
Exterior: 65 x 33 x 84 inches



ADA/ANSI compliant when fully equipped and installed according to guidelines.



FEATURES

Dimensional Tolerance $\pm \frac{3}{8}$ ". Dimensions needed for site preparation should be measured from the unit. Aquatic assumes no responsibility for preparatory work.

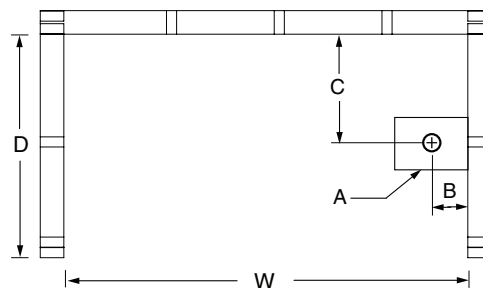
Type and Model #	Material	Wall Finish	Pieces	Drain	Skirt Height	Net Wt. lbs	Pkg. Wt. lbs
Tub-shower #6032ITS	Cast Acrylic	Smooth	1	LH/RH	17" skirt	175	185

DIMENSIONS

Specifications	inches
Width: Overall / Net	65 / 60
Depth: Overall / Net	33 / 32
Height: Overall / Net	84 / 80 1/2
Enclosure Opening:	60
Skirt Height:	17
Drain Rough-In (from Back Wall)	15
Drain Rough-In (from Side Wall)	8 1/2
Drain: Diameter / Clearance	2 / 2 1/2

FRAMING DIMENSIONS inches

Type	D Depth	W Width	H Height	A	B	C
Alcove	33	65 1/8	-	6 x 12(150 x 305)	8 1/2	15



SUMP DATA

Top of Drain to Bottom of Overflow	Capacity to Overflow gal (ltr)	WIDTH @ centerline		DEPTH @ centerline	
		Top	Bottom	Top	Bottom
13	52	26	23 1/2	60	51 3/4