

60ACTS – ACRYLIC SHOWERS

inches

60 x 34 x 84

TUB-SHOWER MODEL #60ACTS



FEATURES

- Decorative back wall
- Slip resistant, textured bottom
- Premium cast acrylic surface
- Face pack
- Limited 5-year warranty

OPTIONS

- Designer drain waste & overflow: Bone, Brushed Nickel, Polished Brass, Polished Chrome, Oil-Rubbed Bronze, Polished Brass
- Dome light
- Shower door series: L0516

AQUATIC ADVANTAGE

- National distribution
- 7 manufacturing facilities
- Private fleet
- Centralized customer service
- Field support

COLOR & TRIM OPTIONS

| Stock | Upgraded |
|-------|----------|
| White | Biscuit |



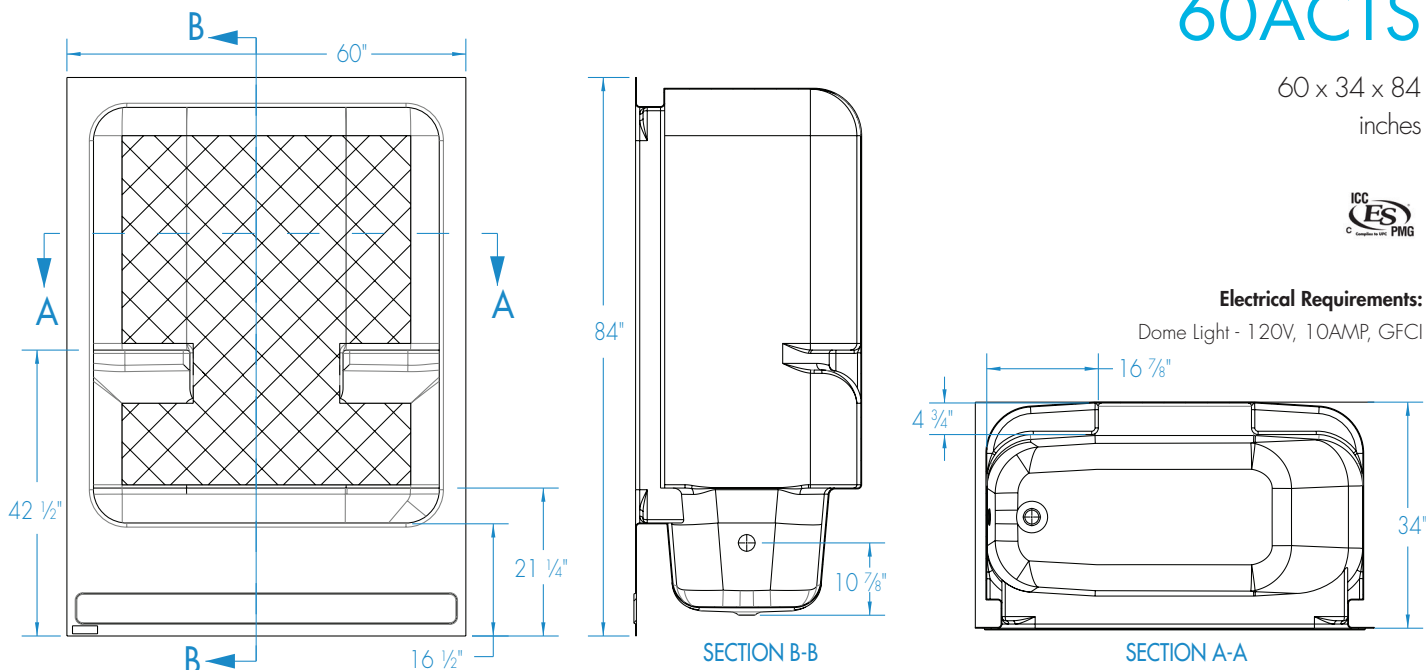
60ACTS

60 x 34 x 84
inches



Electrical Requirements:

Dome Light - 120V, 10AMP, GFCI



FEATURES lbs Dimensional Tolerance $\pm 3/8"$. Dimensions needed for site preparation should be measured from the unit. Aquatic assumes no responsibility for preparatory work.

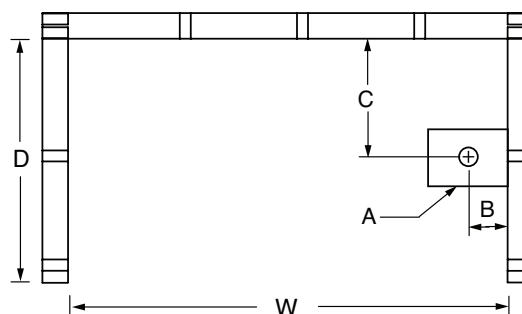
| Type and Model # | Material | Wall Finish | Pieces | Drain | Seats | Lights | Pkg. Wt. |
|--------------------|--------------|----------------------|--------|----------|-------|----------|----------|
| Tub-Shower #60ACTS | Cast Acrylic | Decorative back wall | 1 | LH or RH | - | Optional | 175 |

DIMENSIONS

| Specifications | inches |
|---------------------------------|---------------------|
| Width: Overall / Net | 60 |
| Depth: Overall / Net | 34 / 34 |
| Height: Overall / Net | 84 |
| Enclosure Opening | 51 3/4 W x 62 3/4 H |
| Skirt Height | 16 1/2 |
| Drain Rough-In (from Back Wall) | 17 1/2 |
| Drain Rough-In (from Side Wall) | 1 3/4 |
| Drain: Diameter / Clearance | 2 / 2 3/4 |

FRAMING DIMENSIONS inches

| Type | D Depth | W Width | H Height | A Box-Out | B | C |
|--------|------------|------------|-------------|--------------|-------|--------|
| Alcove | 35 | 60 1/8 | - | 6 x 12 | 1 3/4 | 17 1/2 |



SUMP DATA

| Top of Drain to Bottom of Overflow | Capacity to Overflow gal | Min. Operating Capacity gal | WIDTH @ centerline | | DEPTH @ centerline | |
|------------------------------------|--------------------------|-----------------------------|--------------------|--------|--------------------|--------|
| | | | Top | Bottom | Top | Bottom |
| 9 | 34.7 | - | 56 1/2 | 44 5/8 | 24 1/8 | 22 1/4 |

*Refer to installation instructions for further detail. (domed models)